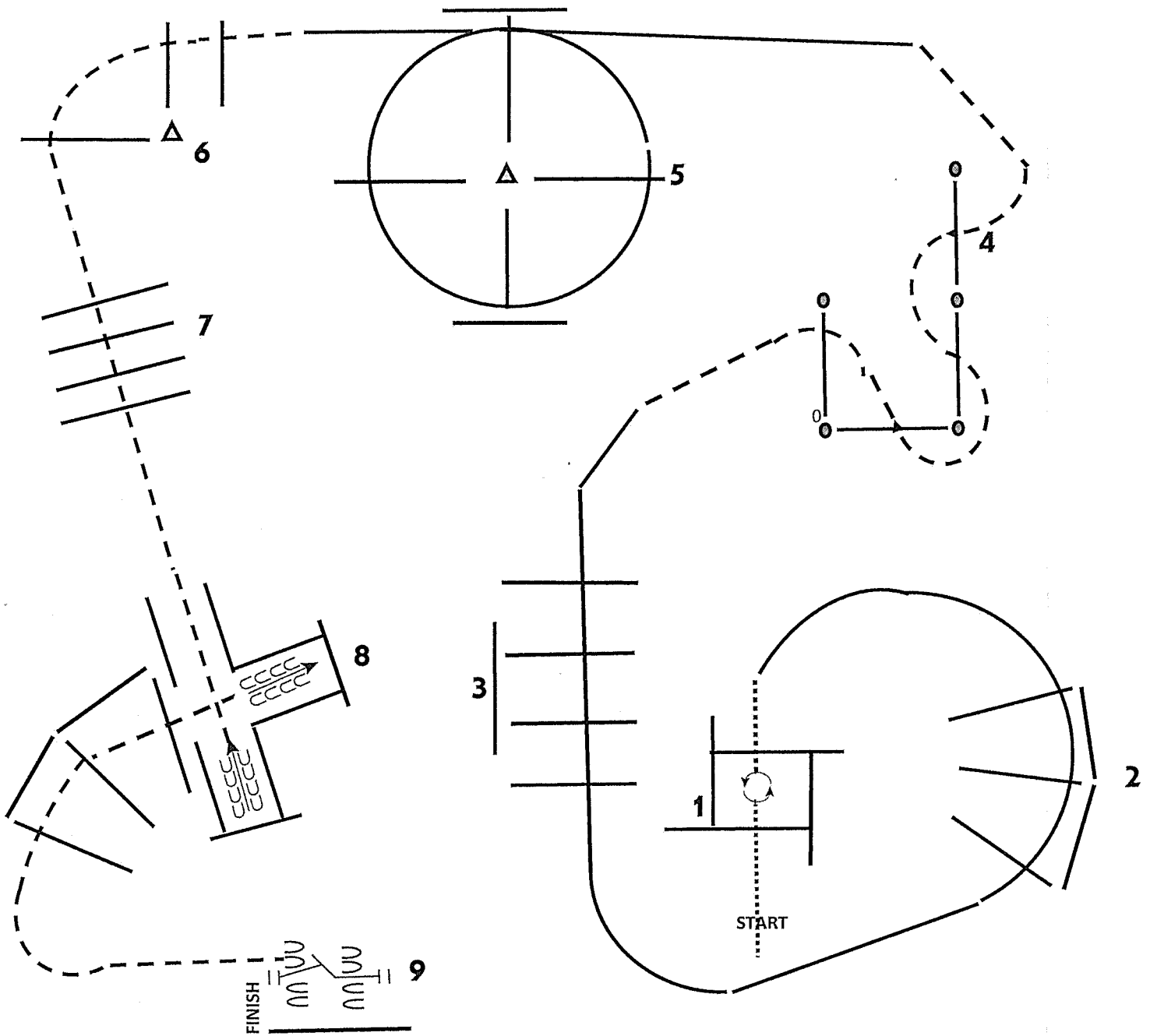


Friday, July 19, 2024

**Ring Sheet**  
**2024 YOUTH/MID SUMMER NATIONAL CHAMPIONSHIPS**  
**PERFORMANCE ARENA - ALL DAY**

Class#	Class	Sec	Judge Order	1st Time Shown	Pat	EXP #	ABC #	PRE #	Comments
211	Arabian Western Trail CH	SF	<u>Damianos, Lee, Odom</u>	Y		10			
646	HA/AA Western Trail Horse Champ	SF	<u>Damianos, Lee, Odom</u>	Y		11			
2482	Arabian Western Trail Horse AATR CH	SF	<u>Damianos, Lee, Odom</u>	Y		7			
2484	HA/AA Western Trail AATR CH	SF	<u>Damianos, Lee, Odom</u>	Y		10			
1537	Arabian Western Trail Horse JTR 15 - 18 CH	SF	<u>Damianos, Lee, Odom</u>	Y		2			
1536	Arabian Western Trail Horse JTR 14 & Under CH	SF	<u>Damianos, Lee, Odom</u>	Y		6			
1590	HA/AA Western Trail Horse JTR 15 - 18 CH	SF	<u>Damianos, Lee, Odom</u>	Y		7			
1589	HA/AA Western Trail Horse JTR 14 & Under CH	SF	<u>Damianos, Lee, Odom</u>	Y		1			
1021	A/HA/AA Western Trail Walk/Trot 10 & Under Champ	SF	<u>Damianos, Lee, Odom</u>	Y		15			
1118	Arabian Western Horsemanship JTR 14 & Under CH	SFF	<u>Damianos, Lee, Odom</u>			8			
1145	HA/AA Western Horsemanship JTR 15 - 18 CH	SFF	<u>Odom, Damianos, Lee</u>			14			

Designs by: A/S Trail Equipment & Services COPYRIGHT 2024 Arabian Youth Nationals classes : 211 ,SF , 646 SF ,2482 SF , 2484 SF : Arabian Western CH , HA/AA Western CH , Arabian Western AATR CH , HA/AA Arabian Western AATR CH



1. walk into box 360 either direction walk out of box 2.right lead lope over poles 3. continue right lead lope over poles 4. break to jog through serpentine 5. left lead lope through pin wheel 6. break to jog over poles 7. continue to jog over poles into chute 8. back around corner and jog out over poles to gate 9.right hand push gate to finish

## Class 211: Arabian Western Trail

### First Go/Semi-Final

Go Order	Back #	Horse	Rider
1	805	AAMERICAN EAGLE PKA	GERDES, PATRICIA
2	243	WERDYCT +/	HITT, JIM
3	855	TSAMURAI MAC +//	BURKMAN, TAMERA
4	953	FOOTLOOSE N FANCY RS	LECLAIR, LANE
5	321	BROWN SUGAR BOURBON +++//	HALPAIN, LISA I
6	244	LEGACY BLACK SABBATH +++/	HITT, JIM
7	698	ADESSA SS +//	BEIN, JESSICA
8	803	RD KORDOVA +	BRADLEY, STERLING
9	893	RS CLASS ACT +++/	STEINER, KATIE
10	238	AGILITY BY NOBILITY +/	HITT, JIM

### Second Go/Final

Go Order	Back #	Horse	Rider
1	244	LEGACY BLACK SABBATH +++/	HITT, JIM
2	803	RD KORDOVA +	BRADLEY, STERLING
3	698	ADESSA SS +//	BEIN, JESSICA
4	238	AGILITY BY NOBILITY +/	HITT, JIM
5	893	RS CLASS ACT +++/	STEINER, KATIE
6	321	BROWN SUGAR BOURBON +++//	HALPAIN, LISA I
7	855	TSAMURAI MAC +//	BURKMAN, TAMERA
8	243	WERDYCT +/	HITT, JIM
9	805	AAMERICAN EAGLE PKA	GERDES, PATRICIA
10	953	FOOTLOOSE N FANCY RS	LECLAIR, LANE

*Order Of Go*

2024 YOUTH & MID SUMMER NATIONALS

Performance Class

Jul 18 2024 08:54

211 SF Arabian Western Trail CH

Judge: Michael Damianos Jeff Lee Sheri Odom

Back#	Horse /Sire x Dam	Handler / Breeder	Owner Name
238	<b>AGILITY BY NOBILITY +/</b> MHR NOBILITY X BAYCHELSEA V	JIM HITT HYRICK, JONI	HYRICK, JONI PENDLETON NY
243	<b>WERDYCT +/</b> KALALOECH + X ECAHOS JEWEL WC	JIM HITT BROWN, SHELLY	MANNICK, ANGELA & HAILEY PARKER CO
244	<b>LEGACY BLACK SABBATH +++/</b> MIDNTE PLEASURE L X LEGACY SILK NITEY	JIM HITT WILLIAMS-BAITY, KATHIE	STETMAN, MIGNON OR GREG CASTLE ROCK CO
321	<b>BROWN SUGAR BOURBON +++/</b> PAYBACK TYPHOON X HJH SURREAL MCCOY	LISA I HALPAIN BINGHAM, CINDY M OR AARON J	HALPAIN, LISA I ROCKWALL TX
698	<b>ADESSA SS +/</b> PA GAZSI X CASSANDRA SS	JESSICA BEIN NORIKA ARABIANS	DANIEL, ASHLYE FREDERICKSBURG TX
803	<b>RD KORDOVA +</b> EDEN C X SAN JOSE JAVIERA	STERLING BRADLEY POPPLEWELL, MURRAY OR SHIRLEY	MAYBERRY, SHERI WYLIE TX
805	<b>AAMERICAN EAGLE PKA</b> KMA WEZTERLY X ORLENAA PKA	PATRICIA GERDES GERDES, PATRICIA	GERDES, PATRICIA DENTON TX
855	<b>TSAMURAI MAC +/</b> MACLINTOCK V X ROHARA RONATTA	TAMERA BURKMAN HUGHES, ED OR LILLIAN OR ISHIDA, HEATHER	WEAVER, MELANIE & MIKE VALLEY VILLAGE CA
893	<b>RS CLASS ACT +++/</b> CA MONTE VISTA X WO INDEPENDENCE BEY	KATIE STEINER STAUDINGER, ADRIEEN R	BROWN, JOANIE FARMERSVILLE TX
953	<b>FOOTLOOSE N FANCY RS</b> MACNIFICENT RS + X FLOWER GIRL V	LANE LECLAIR RANCHO SONADO LLC	RANCHO SONADO LLC SAHUARITA AZ

Count: 10

**Class 646: HA/AA Western Trail  
First Go/Semi-Final**

<b>Go Order</b>	<b>Back #</b>	<b>Horse</b>	<b>Rider</b>
1	799	LEGACY NIGHT VIXEN +	BRADLEY, STERLING
2	1009	ZEE MACARONI +++//	MITCHELL, JILL
3	245	M GETTIN ER DUN ++++//	HITT, JIM
4	1010	CLASSY KHADILLAC RL	BEIN, JESSICA
5	804	FISTFULL OF DOLLARSS	BRADLEY, STERLING
6	867	SH IMVAGUELYSURPRISE	SCHEYLI, SCOTT
7	242	MY LUCKY SHAMROCK	HITT, JIM
8	157	TR FLASH FLOOD	MITCHELL, JILL
9	798	CA TEMPTING +//	BRADLEY, STERLING
10	219	BSF BUFFALO BILL CODY	BEIN, JESSICA
11	246	TR BUTCH CASSIDY ++++//	HITT, JIM

**Second Go/Final**

<b>Go Order</b>	<b>Back #</b>	<b>Horse</b>	<b>Rider</b>
1	219	BSF BUFFALO BILL CODY	BEIN, JESSICA
2	246	TR BUTCH CASSIDY ++++//	HITT, JIM
3	798	CA TEMPTING +//	BRADLEY, STERLING
4	157	TR FLASH FLOOD	MITCHELL, JILL
5	867	SH IMVAGUELYSURPRISE	SCHEYLI, SCOTT
6	245	M GETTIN ER DUN ++++//	HITT, JIM
7	799	LEGACY NIGHT VIXEN +	BRADLEY, STERLING
8	1010	CLASSY KHADILLAC RL	BEIN, JESSICA
9	1009	ZEE MACARONI +++//	MITCHELL, JILL
10	242	MY LUCKY SHAMROCK	HITT, JIM
11	804	FISTFULL OF DOLLARSS	BRADLEY, STERLING

*Order Of Go*

**2024 YOUTH & MID SUMMER NATIONALS**  
**Performance Class**

Jul 18 2024 08:55

**646 SF HA/AA Western Trail Horse Champ**

Judge: Michael Damianos Jeff Lee Sheri Odom

Back#	Horse /Sire x Dam	Handler / Breeder	Owner Name
<b>157</b>	<b>TR FLASH FLOOD</b>	JILL MITCHELL	GRINTON, LOGAN
BE	WHAT IT TAKES + X TIDAL WAVE JACKIE	WOLF SPRINGS RANCHES INC	DISCOVERY BAY CA
<b>219</b>	<b>BSF BUFFALO BILL CODY +//</b>	JESSICA BEIN	GUADAGNOLO, ANTHONY OR GRACE
BE	WERE DUN X ABL ANTIQUA	BUCKSHOT FARMS	CAVE CREEK AZ
<b>242</b>	<b>MY LUCKY SHAMROCK</b>	JIM HITT	DOWSON, TRACY
	SHINEY AND EXPENSIVE X LD MUSTANG SALLY	PNIAK, GAYLE L	GOLDEN CO
<b>245</b>	<b>M GETTIN ER DUN +++++//</b>	JIM HITT	STETMAN, MIGNON OR GREG
OE	SVS FORNAIO X OTOES GOLD IN MOTION	EPSTEIN, MARCIAA	CASTLE ROCK CO
<b>246</b>	<b>TR BUTCH CASSIDY +++++//</b>	JIM HITT	BUNKER, BONNIE OR BROOKE
BE	SUNDANCE KID V X CHIP DOT COMM	WOLF SPRINGS RANCHES INC	STEAMBOAT SPRINGS CO
<b>798</b>	<b>CA TEMPTING +//</b>	STERLING BRADLEY	BARNES, CHERYL
BE	TWC AWESOME X DEE MASTER FLASH	CARUTH, ROBERT M	DENTON TX
<b>799</b>	<b>LEGACY NIGHT VIXEN +</b>	STERLING BRADLEY	WOODS, NANCY
	MIDNTE PLEASURE L X EBONY	WILLIAMS-BAITY, KATHIE	HOUSTON TX
<b>804</b>	<b>FISTFULL OF DOLLARSS</b>	STERLING BRADLEY	MCDONALD, BRYNN MARIE & DEBORAH
	LIGHT THE PISTOL X PROM QUEEN	BATES, BRUCE OR LYNN	BILLINGS MT
<b>867</b>	<b>SH INVAGUELYSURPRISED</b>	SCOTT SCHEYLI	SHAW, KAREN
	JERRY LEES SURPRISE X SAGE HILL KARLA	SAGE HILL ARABIANS	ORO VALLEY AZ
<b>1009</b>	<b>ZEE MACARONI +++++//</b>	JILL MITCHELL	DUNLAP, JANET M
BE	ZEE MEGA BUCKS X WINDERFULS MERCY	WITTY, DEB	EXETER CA
<b>1010</b>	<b>CLASSY KHADILLAC RL</b>	JESSICA BEIN	DANIEL, ASHLYE
BE	KHADILLAC PGA + X CLASSY PEPPY TEZA +/	MCKILLOP, KIRSTEN	FREDERICKSBURG TX

Count: 11

**Class 2482: Arabian Western Trail AATR**

**First Go/Semi-Final**

<b>Go Order</b>	<b>Back #</b>	<b>Horse</b>	<b>Rider</b>
1	321	BROWN SUGAR BOURBON ++//	HALPAIN, LISA I
2	244	LEGACY BLACK SABBATH +++/	STETMAN, MIGNON J
3	176	CA KINGSMAN ++/	LALLO, SUSAN
4	118	SW AREZZANA	MOSELEY, LEANNE
5	243	WERDYCT +/	MANNICK, ANGELA R
6	805	AAMERICAN EAGLE PKA	GERDES, PATRICIA
7	803	RD KORDOVA +	MAYBERRY, SHERI

**Class 2482: Arabian Western Trail AATR**

**Second Go/Final**

<b>Go Order</b>	<b>Back #</b>	<b>Horse</b>	<b>Rider</b>
1	118	SW AREZZANA	MOSELEY, LEANNE
2	243	WERDYCT +/	MANNICK, ANGELA R
3	805	AAMERICAN EAGLE PKA	GERDES, PATRICIA
4	803	RD KORDOVA +	MAYBERRY, SHERI
5	244	LEGACY BLACK SABBATH +++/	STETMAN, MIGNON J
6	321	BROWN SUGAR BOURBON ++//	HALPAIN, LISA I
7	176	CA KINGSMAN ++/	LALLO, SUSAN

*Order Of Go*

2024 YOUTH & MID SUMMER NATIONALS

Performance Class

Jul 18 2024 08:57

2482 SF Arabian Western Trail Horse AATR CH

Judge: Michael Damianos Jeff Lee Sheri Odom

Back#	Horse /Sire x Dam	Handler / Breeder	Owner Name
118	<b>SW AREZZANA</b> AREZZO NL X SW MAGNUMSKARISMA	LEANNE MOSELEY MOSELEY, CHARLES OR LEANNE	MOSELEY, LEANNE FAUNSDALE AL
176 BE	<b>CA KINGSMAN ++/</b> TWC AWESOME X HILONIA HCF	SUSAN LALLO CARUTH, TRACY WYNNE	LALLO, RILEY OR SUSAN PEARLAND TX
243	<b>WERDYCT +/</b> KALALOCH + X ECAHOS JEWEL WC	ANGELA R MANNICK BROWN, SHELLY	MANNICK, ANGELA & HAILEY PARKER CO
244 BE	<b>LEGACY BLACK SABBATH +++/</b> MIDNTE PLEASURE L X LEGACY SILK NITEY	MIGNON J STETMAN WILLIAMS-BAITY, KATHIE	STETMAN, MIGNON OR GREG CASTLE ROCK CO
321	<b>BROWN SUGAR BOURBON ++//</b> PAYBACK TYPHOON X HJH SURREAL MCCOY	LISA I HALPAIN BINGHAM, CINDY M OR AARON J	HALPAIN, LISA I ROCKWALL TX
803 BE	<b>RD KORDOVA +</b> EDEN C X SAN JOSE JAVIERA	SHERI MAYBERRY POPPLEWELL, MURRAY OR SHIRLEY	MAYBERRY, SHERI WYLIE TX
805	<b>AAMERICAN EAGLE PKA</b> KMA WEZTERLY X ORLENAA PKA	PATRICIA GERDES GERDES, PATRICIA	GERDES, PATRICIA DENTON TX

Count: 7



**Class 2484: HA/AA Western Trail AATR**

**First Go/Semi-Final**

<b>Go Order</b>	<b>Back #</b>	<b>Horse</b>	<b>Rider</b>
1	119	BOS STORMY ECLIPSE	HIGGINBOTHAM, MEGAN
2	1009	ZEE MACARONI +++//	GARCIA, BARBARA C
3	799	LEGACY NIGHT VIXEN +	WOODS, NANCY
4	798	CA TEMPTING +//	BARNES, CHERYL
5	867	SH IMVAGUELYSURPRISED	SHAW, KAREN
6	246	TR BUTCH CASSIDY ++++//	BUNKER, BONNIE
7	245	M GETTIN ER DUN ++++//	STETMAN, MIGNON J
8	215	SPECIALISTT +	TRABOW, BARBARA JEAN
9	242	MY LUCKY SHAMROCK	DOWSON, TRACY
10	420	DAKOTA CHEX	FISCHER, KAREN

**Class 2484: HA/AA Western Trail AATR**

**Second Go/Final**

<b>Go Order</b>	<b>Back #</b>	<b>Horse</b>	<b>Rider</b>
1	798	CA TEMPTING +//	BARNES, CHERYL
2	246	TR BUTCH CASSIDY ++++//	BUNKER, BONNIE
3	245	M GETTIN ER DUN ++++//	STETMAN, MIGNON J
4	420	DAKOTA CHEX	FISCHER, KAREN
5	215	SPECIALISTT +	TRABOW, BARBARA JEAN
6	1009	ZEE MACARONI +++//	GARCIA, BARBARA C
7	242	MY LUCKY SHAMROCK	DOWSON, TRACY
8	867	SH IMVAGUELYSURPRISED	SHAW, KAREN
9	119	BOS STORMY ECLIPSE	HIGGINBOTHAM, MEGAN
10	799	LEGACY NIGHT VIXEN +	WOODS, NANCY

*Order Of Go*

## 2024 YOUTH &amp; MID SUMMER NATIONALS

## Performance Class

Jul 18 2024 08:57

2484 SF

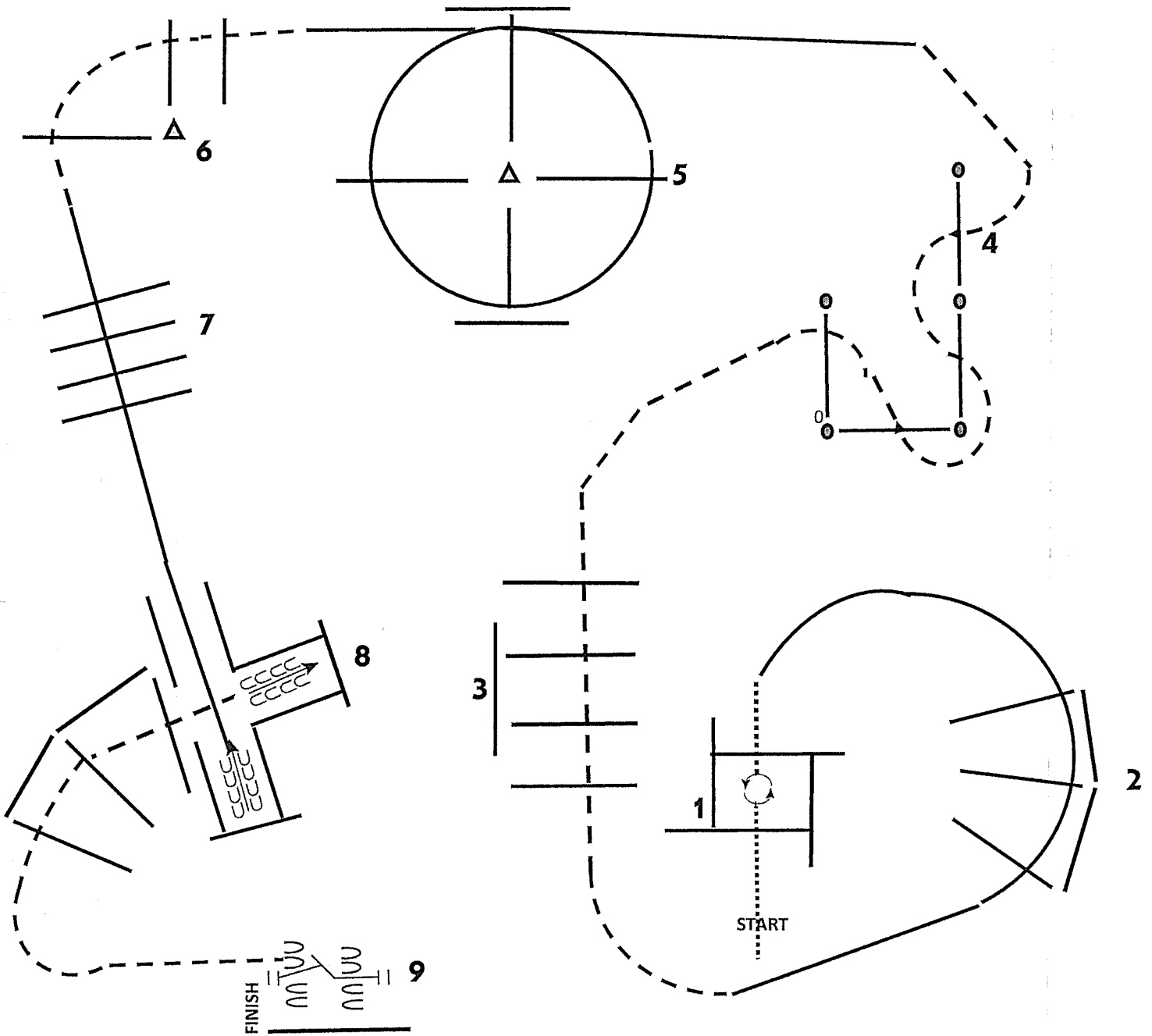
HA/AA Western Trail AATR CH

Judge: Michael Damianos Jeff Lee Sheri Odom

Back#	Horse /Sire x Dam	Handler / Breeder	Owner Name
119	<b>BOS STORMY ECLIPSE</b> MR BO BUTTON X BASK EL BEY ECLIPSE	MEGAN HIGGINBOTHAM MCKINLEY, CAROLYN	HIGGINBOTHAM, MEGAN MERIDIAN ID
215 BE	<b>SPECIALISTT +</b> GUNNERS SPECIAL NITE X LOLITA V	BARBARA JEAN TRABOW MCGURRAN, MIRIAM	TRABOW, BARBARA JEAN SAHUARITA AZ
242	<b>MY LUCKY SHAMROCK</b> SHINEY AND EXPENSIVE X LD MUSTANG SALLY	TRACY DOWSON PNIK, GAYLE L	DOWSON, TRACY GOLDEN CO
245 OE	<b>M GETTIN ER DUN +++++//</b> SVS FORNAIO X OTOES GOLD IN MOTION	MIGNON J STETMAN EPSTEIN, MARCIA A	STETMAN, MIGNON OR GREG CASTLE ROCK CO
246 BE	<b>TR BUTCH CASSIDY +++++//</b> SUNDANCE KID V X CHIP DOT COMM	BONNIE BUNKER WOLF SPRINGS RANCHES INC	BUNKER, BONNIE OR BROOKE STEAMBOAT SPRINGS CO
420	<b>DAKOTA CHEX</b> THE KING OF THE CAT X KNOW TROUBLE TL	KAREN FISCHER MCDILL, THOMAS P OR ILONA	FISCHER, KAREN KELLER TX
798 BE	<b>CA TEMPTING +//</b> TWC AWESOME X DEE MASTER FLASH	CHERYL BARNES CARUTH, ROBERT M	BARNES, CHERYL DENTON TX
799	<b>LEGACY NIGHT VIXEN +</b> MIDNTE PLEASURE L X EBONY	NANCY WOODS WILLIAMS-BAITY, KATHIE	WOODS, NANCY HOUSTON TX
867	<b>SH INVAGUELYSURPRISED</b> JERRY LEES SURPRISE X SAGE HILL KARLA	KAREN SHAW SAGE HILL ARABIANS	SHAW, KAREN ORO VALLEY AZ
1009 BE	<b>ZEE MACARONI +++++//</b> ZEE MEGA BUCKS X WINDERFULS MERCY	BARBARA C GARCIA WITTY, DEB	DUNLAP, JANET M EXETER CA

Count: 10

Designs by: A/S Trail Equipment & Services COPYRIGHT 2024 Arabian Youth Nationals classes : 1537 SF , 1536 SF , 1590 SF , 1589 SF : Arabian Western JTR 15-18 CH, Arabian Western JTR 14 & Under CH , HA/AA Arabian Western JTR 15-18 CH , HA/AA Arabian Western JTR 14 & Under CH



1. walk into box 360 either direction walk out of box 2.right lead lope over poles 3. break to jog over poles 4. continue to jog through serpentine 5. left lead lope through pin wheel 6. break to jog over poles 7. left lead lope over poles into chute 8. back around corner and jog out over poles to gate 9.right hand push gate to finish

**Class 1537: Arabian Western Trail JTR 15-18**

**First Go/Semi-Final**

<b>Go Order</b>	<b>Back #</b>	<b>Horse</b>	<b>Rider</b>
1	180	CP DAUNTLESS+//	FULLILOVE, CLARA
2	206	CADILLAC KHOWBOY+	KOY, ASHLYN

**Class 1537: Arabian Western Trail JTR 15-18**

**Second Go/Final**

<b>Go Order</b>	<b>Back #</b>	<b>Horse</b>	<b>Rider</b>
1	206	CADILLAC KHOWBOY+	KOY, ASHLYN
2	180	CP DAUNTLESS+//	FULLILOVE, CLARA

*Order Of Go*

2024 YOUTH & MID SUMMER NATIONALS

Performance Class

Jul 18 2024 08:58

1537 SF Arabian Western Trail Horse JTR 15 - 18 CH

Judge: Michael Damianos Jeff Lee Sheri Odom

Back#	Horse /Sire x Dam	Handler / Breeder	Owner Name
180	CP DAUNTLESS +//	CLARA FULLILOVE	FULLILOVE, CLARA OR EMMA
BE	BASKE AFIRE X CP PRINCESS	CAL POLY POMONA	HOUSTON TX
206	CADILLAC KHOWBOY +	ASHLYN KOY	SITOMER, GABRIELLE OR KOY ASHLYN
BE	TA KHALIL X TSPARKLIN JEWEL +/	BEIN, DAVID OR JESSICA	HOUSTON TX

Count: 2

**Class 1536: Arabian Western Trail JTR 14 & Under  
First Go/Semi-Final**

<b>Go Order</b>	<b>Back #</b>	<b>Horse</b>	<b>Rider</b>
1	185	LOLITAS JAMAAL +//	SOBRAL, ISABELLA
2	176	CA KINGSMAN ++/	LALLO, RILEY
3	205	SALTY JOHN ++/	MATLOCK, ANNA
4	243	WERDYCT +/	MANNICK, HAILEY
5	187	LUSKHATOV	HUTCHISON, CLARE
6	206	CADILLAC KHOWBOY +	KOY, LANDON

**Class 1536: Arabian Western Trail JTR 14 & Under  
Second Go/Final**

<b>Go Order</b>	<b>Back #</b>	<b>Horse</b>	<b>Rider</b>
1	243	WERDYCT +/	MANNICK, HAILEY
2	206	CADILLAC KHOWBOY +	KOY, LANDON
3	187	LUSKHATOV	HUTCHISON, CLARE
4	176	CA KINGSMAN ++/	LALLO, RILEY
5	185	LOLITAS JAMAAL +//	SOBRAL, ISABELLA
6	205	SALTY JOHN ++/	MATLOCK, ANNA

*Order Of Go*

2024 YOUTH & MID SUMMER NATIONALS

Jul 18 2024 08:58

Performance Class

1536 SF Arabian Western Trail Horse JTR 14 & Under CH

Judge: Michael Damianos Jeff Lee Sheri Odom

Back#	Horse /Sire x Dam	Handler / Breeder	Owner Name
176	<b>CA KINGSMAN ++/</b>	RILEY LALLO	LALLO, RILEY OR SUSAN
BE	TWC AWESOME X HILONIA HCF	CARUTH, TRACY WYNNE	PEARLAND TX
185	<b>LOLITAS JAMAAL +//</b>	ISABELLA SOBRAL	SOBRAL, ISABELLA OR LONG LAURIE
BE	JAKE JAMAAL JCA +++// X LOLITA V	MCGURRAN, MIRIAM	PEARLAND TX
187	<b>LUSKHATOV</b>	CLARE HUTCHISON	HUTCHISON, CLARE OR JAMIE
	CJA HIGH KHALIBER X LISCATTA	JOYCE, MARCIE L	WEBSTER TX
205	<b>SALTY JOHN ++/</b>	ANNA MATLOCK	GASSEN, LAUREN OR ALEXIS
BE	GS KHOCHISE +++// X SHEZN UPTOWN GIRL	HODGSON, JIM OR MARILYN	PEARLAND TX
206	<b>CADILLAC KHOWBOY +</b>	LANDON KOY	SITOMER, GABRIELLE OR KOY ASHLYN
BE	TA KHALIL X TSPARKLIN JEWEL +/	BEIN, DAVID OR JESSICA	HOUSTON TX
243	<b>WERDYCT +/</b>	HAILEY MANNICK	MANNICK, ANGELA & HAILEY
	KALALOCH + X ECAHOS JEWEL WC	BROWN, SHELLY	PARKER CO

Count: 6

**Class 1590: HA/AA Western Trail JTR 15-18**

**First Go/Semi-Final**

<b>Go Order</b>	<b>Back #</b>	<b>Horse</b>	<b>Rider</b>
1	867	SH IMVAGUELYSURPRISED	STUCKY, EMILY
2	770	SF TUCKS BIG BANG	MATTHIAS, EVA
3	174	SH DUDES DIABLO	THOM, ANABELLE
4	851	LEGACYBLACKWHITE NITE	ATKINS, PEYTON
5	708	SCARBOROUGH	DOLNIK, KRISTYNA
6	219	BSF BUFFALO BILL CODY +//	GUADAGNOLO, GRACIE
7	800	KMA SKY METO THEMOON ++//	YOUNG, SKYLAR

**Class 1590: HA/AA Western Trail JTR 15-18**

**Second Go/Final**

<b>Go Order</b>	<b>Back #</b>	<b>Horse</b>	<b>Rider</b>
1	708	SCARBOROUGH	DOLNIK, KRISTYNA
2	219	BSF BUFFALO BILL CODY +//	GUADAGNOLO, GRACIE
3	800	KMA SKY METO THEMOON ++//	YOUNG, SKYLAR
4	174	SH DUDES DIABLO	THOM, ANABELLE
5	867	SH IMVAGUELYSURPRISED	STUCKY, EMILY
6	851	LEGACYBLACKWHITE NITE	ATKINS, PEYTON
7	770	SF TUCKS BIG BANG	MATTHIAS, EVA

*Order Of Go*



## 2024 YOUTH &amp; MID SUMMER NATIONALS

## Performance Class

Jul 18 2024 08:59

1590 SF HA/AA Western Trail Horse JTR 15 - 18 CH

Judge: Michael Damianos Jeff Lee Sheri Odom

Back#	Horse /Sire x Dam	Handler / Breeder	Owner Name
174	<b>SH DUDES DIABLO</b> BUENOS PARTEE DUDE X NOBLE DIANA	ANABELLE THOM SAGE HILL ARABIANS	THOM, ANABELLE OR CEPAK TIFFANY FRIENDSWOOD TX
219	<b>BSF BUFFALO BILL CODY +//</b> WERE DUN X ABL ANTIQUA	GRACIE GUADAGNOLO BUCKSHOT FARMS	GUADAGNOLO, ANTHONY OR GRACE CAVE CREEK AZ
708	<b>SCARBOROUGH</b> ASLAN PF X CREME BRULEE	KRISTYNA DOLNIK CARLSON, BROOKE OR CORY OR CLAYTON	DOLNIK, KRISTYNA OR MARKETTA PALO ALTO CA
770	<b>SF TUCKS BIG BANG</b> TUCKNICOLOR X WC EKSPLOZJA	EVA MATTHIAS EIBERGER, JANNA & DAVID	MATTHIAS, LON OR KIM NORWALK IA
800	<b>KMA SKY METO THEMOON ++//</b> SKY FIGHTER X KMA BAIEDA	SKYLAR YOUNG KARMA ARABIANS	YOUNG, SKYLAR AUBREY TX
851	<b>LEGACYBLACKWHITE NITE</b> MIDNTE PLEASURE L X LA OH MY MY	PEYTON ATKINS WILLIAMS-BAITY, KATHIE	ATKINS, PEYTON AND ATKINS LORI BATTLE GROUND WA
867	<b>SH IMVAGUELYSURPRISED</b> JERRY LEES SURPRISE X SAGE HILL KARLA	EMILY STUCKY SAGE HILL ARABIANS	SHAW, KAREN ORO VALLEY AZ

Count: 7

**Class 1589: HA/AA Western Trail JTR 14 & Under  
First Go/Semi-Final**

<b>Go Order</b>	<b>Back #</b>	<b>Horse</b>	<b>Rider</b>
1	291	HOLLYWOOD SUNSET	WAGGONER, VELA

**Class 1589: HA/AA Western Trail JTR 14 & Under  
Second Go/Final**

<b>Go Order</b>	<b>Back #</b>	<b>Horse</b>	<b>Rider</b>
1	291	HOLLYWOOD SUNSET	WAGGONER, VELA

*Order Of Go*

2024 YOUTH & MID SUMMER NATIONALS

Performance Class

Jul 18 2024 09:00

1589 SF

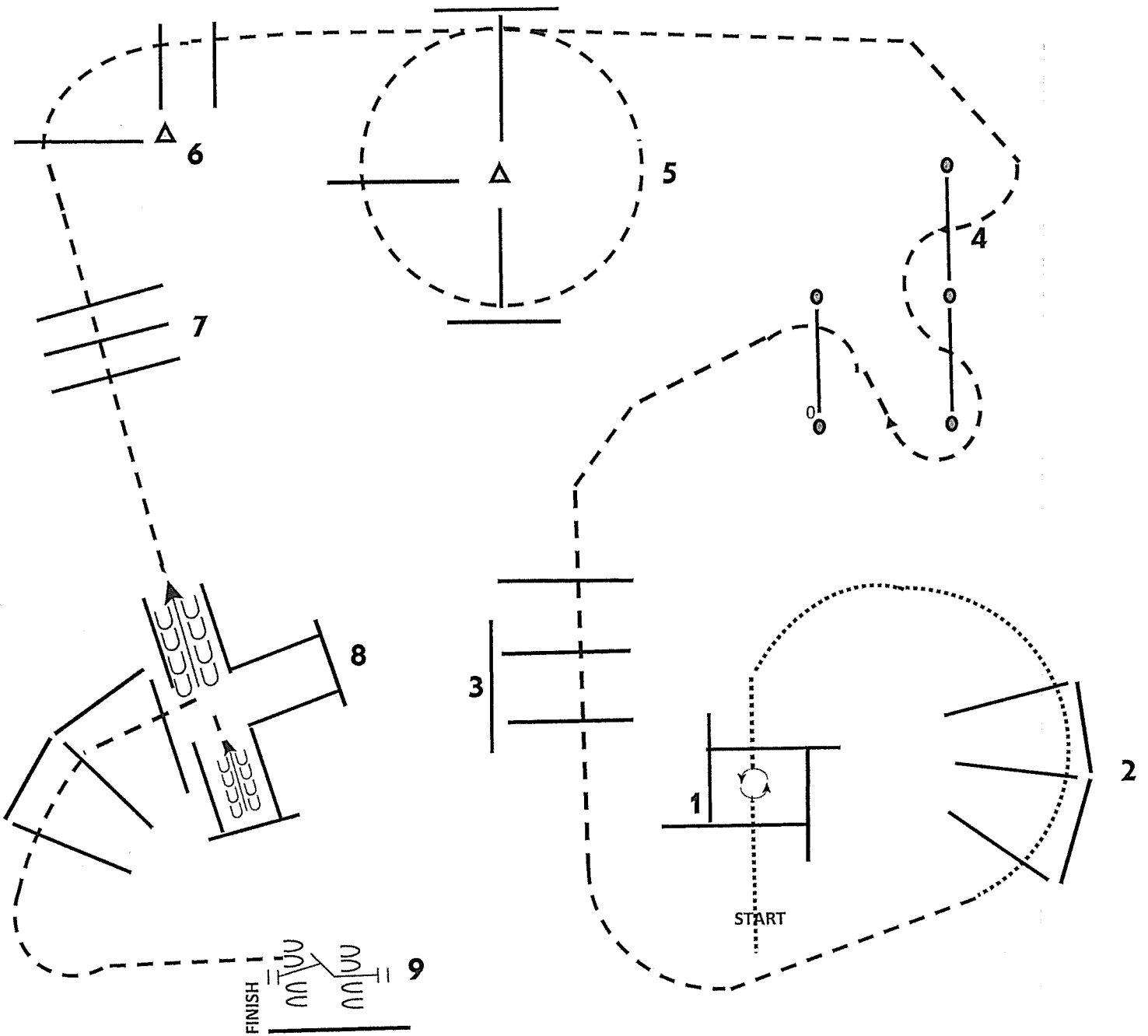
HA/AA Western Trail Horse JTR 14 & Under CH

Judge: Michael Damianos Jeff Lee Sheri Odom

Back#	Horse /Sire x Dam	Handler / Breeder	Owner Name
291	<b>HOLLYWOOD SUNSET</b> HOLLYWOOD WHITE X ORA	VELA WAGGONER SCOTT, RONALD OR GIPSON, CAROLYN J	WAGGONER, LYRA TUCSON AZ

Count: 1

Designs by: A/S Trail Equipment & Services COPYRIGHT 2024 Arabian Youth Nationals classes : 1021 SF Arabian Western Walk / Trot 10 & under A/AA/HA



1. walk into box 360 either direction walk out of box 2. walk over poles 3. jog over poles 4. continue to jog through serpentine 5. jog around pin wheel 6. jog over poles 7. continue to jog over poles into chute 8. back straight and jog out over poles to gate 9. right hand walk thru gate to finish

**Class 1021: A/HA/AA Western Trail W/T 10 & Under4  
First Go/Semi-Final**

<b>Go Order</b>	<b>Back #</b>	<b>Horse</b>	<b>Rider</b>
1	246	TR BUTCH CASSIDY ++++//	STACK, BRIELLE
2	1009	ZEE MACARONI +++//	BEIN, BRYTON
3	199	TRULY UNDENIABLE +//	POPOVICH, KORIE
4	157	TR FLASH FLOOD	GRINTON, LOGAN
5	200	MAGIC ONTHE KATWALK	BOENIG, ELIZABETH
6	206	CADILLAC KHOWBOY +	KOY, CALLAN
7	290	GOOD TIME TO TAKE +	WAGGONER, CARINA
8	848	LADIES LUV CHOCOLATE +//	PALMERTON, BLAKELY
9	203	REDNECK GIRL	POLLARD, ELIZA
10	291	HOLLYWOOD SUNSET	WAGGONER, CARINA
11	627	ATOMIC BLONDE RA +	SHARMAN, ELLIE
12	216	JSN REIN MAN +//	PETERSON, WILLIAM
13	698	ADESSA SS +//	BEIN, BRYTON
14	198	RCC FRIAR TUCK	POPOVICH, KORIE
15	209	REMI MARTIN	KOY, CALLAN

**Second Go/Final**

<b>Go Order</b>	<b>Back #</b>	<b>Horse</b>	<b>Rider</b>
1	198	RCC FRIAR TUCK	POPOVICH, KORIE
2	209	REMI MARTIN	KOY, CALLAN
3	698	ADESSA SS +//	BEIN, BRYTON
4	216	JSN REIN MAN +//	PETERSON, WILLIAM
5	848	LADIES LUV CHOCOLATE +//	PALMERTON, BLAKELY
6	291	HOLLYWOOD SUNSET	WAGGONER, CARINA
7	627	ATOMIC BLONDE RA +	SHARMAN, ELLIE
8	200	MAGIC ONTHE KATWALK	BOENIG, ELIZABETH
9	290	GOOD TIME TO TAKE +	WAGGONER, CARINA
10	157	TR FLASH FLOOD	GRINTON, LOGAN
11	203	REDNECK GIRL	POLLARD, ELIZA
12	1009	ZEE MACARONI +++//	BEIN, BRYTON
13	206	CADILLAC KHOWBOY +	KOY, CALLAN
14	246	TR BUTCH CASSIDY ++++//	STACK, BRIELLE
15	199	TRULY UNDENIABLE +//	POPOVICH, KORIE

*Order Of Go*

## 2024 YOUTH &amp; MID SUMMER NATIONALS

Jul 18 2024 09:00

## Performance Class

1021 SF A/HA/AA Western Trail Walk/Trot 10 &amp; Under Champ

Judge: Michael Damianos Jeff Lee Sheri Odom

Back#	Horse /Sire x Dam	Handler / Breeder	Owner Name
157	<b>TR FLASH FLOOD</b> WHAT IT TAKES + X TIDAL WAVE JACKIE	LOGAN GRINTON WOLF SPRINGS RANCHES INC	GRINTON, LOGAN DISCOVERY BAY CA
198	<b>RCC FRIAR TUCK</b> CASHMERE MA + X LIL RED RIDING HOOD	KORIE POPOVICH ULMER, DON OR KAMBER	POPOVICH, KORIE FRIENDSWOOD TX
199	<b>TRULY UNDENIABLE +//</b> ROBBY X CF UNFORGETABLE	KORIE POPOVICH MCKILLOP, KIRSTEN	DAVIS, HEATHER PEARLAND TX
200	<b>MAGIC ONTHE KATWALK</b> PS GOOD BARS KAT X TAPESTRY DREAMS	ELIZABETH BOENIG BACH, DENISE M	BOENIG, ELIZABETH HOUSTON TX
203	<b>REDNECK GIRL</b> HH BEN MUSCAT X COWTOWNS LIL RUBY	ELIZA POLLARD STEWART, DOUG OR KRISTI	LONG, LAURIE OR ALMOND LYNN PEARLAND TX
206	<b>CADILLAC KHOWBOY +</b> TA KHALIL X TSPARKLIN JEWEL +/	CALLAN KOY BEIN, DAVID OR JESSICA	SITOMER, GABRIELLE OR KOY ASHLYN HOUSTON TX
209	<b>REMI MARTIN</b> HOLLYWOOD REMINIC X TA CAARLIE	CALLAN KOY CANIZARES, SAYDA	SITOMER, GABRIELLE A HOUSTON TX
216	<b>JSN REIN MAN +//</b> BOSS SOLANO X CHUZELLE	WILLIAM PETERSON JENSEN ARABIANS INC	ROBERTS, CAROL W BILLINGS MT
246	<b>TR BUTCH CASSIDY +//+//</b> SUNDANCE KID V X CHIP DOT COMM	BRIELLE STACK WOLF SPRINGS RANCHES INC	BUNKER, BONNIE OR BROOKE STEAMBOAT SPRINGS CO
290	<b>GOOD TIME TO TAKE +</b> WHAT IT TAKES + X A GOOD TIME IN TEXAS	CARINA WAGGONER THE BRASS RING INC	WAGGONER, LYRA TUCSON AZ
291	<b>HOLLYWOOD SUNSET</b> HOLLYWOOD WHITE X ORA	CARINA WAGGONER SCOTT, RONALD OR GIPSON, CAROLYN J	WAGGONER, LYRA TUCSON AZ
627	<b>ATOMIC BLONDE RA +</b> YELLOW JERSEY X MINDING PS AND QS	ELLIE SHARMAN AMES, RICHARD	SHARMAN, ELLIE SHAE OR BILLOTTI-AUSTIN SARALYN PARADISE CA
698	<b>ADESSA SS +//</b> PA GAZSI X CASSANDRA SS	BRYTON BEIN NORIKA ARABIANS	DANIEL, ASHLYE FREDERICKSBURG TX
848	<b>LADIES LUV CHOCOLATE +//</b> CHOCOLATE CHIC OLENA X HF FASHIONABLE LADY	BLAKELY PALMERTON HISER, WESLEY W	KARPSTEIN, JAIMEE LA CENTER WA
1009	<b>ZEE MACARONI +//+//</b> ZEE MEGA BUCKS X WINDERFULS MERCY	BRYTON BEIN WITTY, DEB	DUNLAP, JANET M EXETER CA

Count: 15

**2024 AHA Youth Nationals**  
**1118 Arabian 1142 HA/AA Western Horsemanship**  
**14 & Under Section SF/F**



# Western Horsemanship

## LEVEL 2 • PATTERN BBB

*The drawn description of this pattern is only intended for the general depiction of the pattern. Exhibitors should utilize the arena to best exhibit their horses.*

Be ready at marker A.

Lope, right lead.

Jog.

Lope, left lead.

Walk.

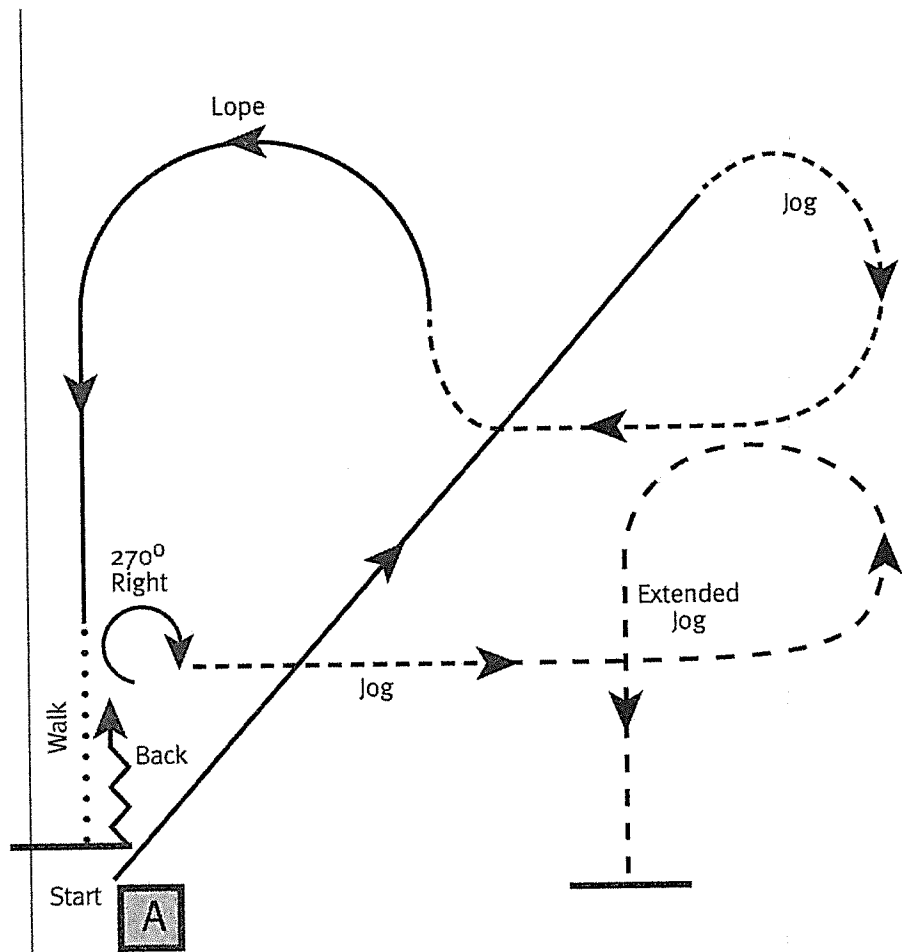
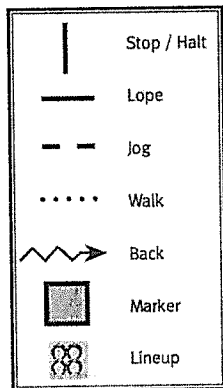
Stop, back.

Execute a 270-degree turn to the right on the haunches.

Jog.

Extended jog, stop when even with cone A.

Return to line up or exit arena as directed by ringmaster.



*This pattern is appropriate to use for all age groups*

*If used at a Regional or National Show, pattern may not be run from the lineup.*

2024 YOUTH & MID SUMMER NATIONALS

Jul 17 2024

Class# 1118 SFF Order-Of-Go  
 Arabian Western Horsemanship JTR 14 & Under CH  
 Judge: Michael Damianos Jeff Lee Sheri Odom

# Horses Shown: \_\_\_\_\_  
 Time Start: \_\_\_\_\_ End: \_\_\_\_\_

Place	Exhibit#	ID & Horse Name/SireXDam ..	Breeder	Handler	Owner
< 1 >	334	<b>COCO CHANEL BLU</b> KARLS, JOE OR SELBY, LESLIE		LILLIAN THOMPSON	RENO TAHOE EQUESTRIAN CENTRE INC RENO NV
< 2 >	694	<b>SHALIMAR CHAUNCEY +++/</b> EDMUND, J ADAM		GABRIELLA MURPHY	GORR, GRETCHEN CAVE CREEK AZ
< 3 >	588 BE	<b>PRINCE HARRY PMA</b> MCGINNIS, PAT		MCKENNA MIERSMA	MIERSMA, DANIELLE VICKSBURG MI
< 4 >	192	<b>HESA ARTFULL ZEE</b> HAMILTON, ELEANOR		RILEY LALLO	HAMILTON, ELEANOR EAGAN MN
< 5 >	195	<b>CC MAZAL</b> BANNING, DWIGHT & YOLANDA		LILLIANNA STREICH	STREICH, LILLIANNA HOUSTON TX
< 6 >	187	<b>LUSKHATOV</b> JOYCE, MARCIE L		CLARE HUTCHISON	HUTCHISON, CLARE OR JAMIE WEBSTER TX
< 7 >	313 BE	<b>AMADEUS RA</b> AMES, RICHARD		ANDREA GEORGE	GEORGE, ANDREA OR LINDY THE WOODLANDS TX
< 8 >	185 BE	<b>LOLITAS JAMAAL +//</b> MCGURRAN, MIRIAM		ISABELLA SOBRAL	SOBRAL, ISABELLA OR LONG LAURIE PEARLAND TX

**Order Of Go**

Count: 8

1118 Arabian Western Horsemanship JTR 14 & Under CH



## 2024 YOUTH &amp; MID SUMMER NATIONALS

## Performance Class

Jul 18 2024 09:01

1118 SFF 1118 Arabian Western Horsemanship JTR 14 &amp; Under CH

Judge: Michael Damianos Jeff Lee Sheri Odom

Back#	Horse /Sire x Dam	Handler / Breeder	Owner Name
185	<b>LOLITAS JAMAAL +//</b>	ISABELLA SOBRAL	SOBRAL, ISABELLA OR LONG LAURIE
BE	JAKE JAMAAL JCA +++// X LOLITA V	MCGURRAN, MIRIAM	PEARLAND TX
187	<b>LUSKHATOV</b>	CLARE HUTCHISON	HUTCHISON, CLARE OR JAMIE
	CJA HIGH KHALIBER X LISCATTA	JOYCE, MARCIE L	WEBSTER TX
192	<b>HESA ARTFULL ZEE</b>	RILEY LALLO	HAMILTON, ELEANOR
	HESA ZEE +// X ARTYMUSME	HAMILTON, ELEANOR	EAGAN MN
195	<b>CC MAZAL</b>	LILLIANNA STREICH	STREICH, LILLIANNA
	KHEMO-CRACKER X JR	BANNING, DWIGHT & YOLANDA	HOUSTON TX
	CLAUDETTE		
313	<b>AMADEUS RA</b>	ANDREA GEORGE	GEORGE, ANDREA OR LINDY
BE	TA MOZART X AL-MARAH AMELIUS	AMES, RICHARD	THE WOODLANDS TX
	+		
334	<b>COCO CHANEL BLU</b>	LILLIAN THOMPSON	RENO TAHOE EQUESTRIAN CENTRE INC
	AMES CHARISMA X BASKE MOTION	KARLS, JOE OR SELBY, LESLIE	RENO NV
588	<b>PRINCE HARRY PMA</b>	MCKENNA MIERSMA	MIERSMA, DANIELLE
BE	BRONTES FM X DIANA AA	MCGINNIS, PAT	VICKSBURG MI
694	<b>SHALIMAR CHAUNCEY +++//</b>	GABRIELLA MURPHY	GORR, GRETCHEN
	ASIL PHANCY PKA X SHALIMAR	EDMUND, J ADAM	CAVE CREEK AZ
	CHIMES		

Count: 8

**2024 AHA Youth Nationals  
1120 Arabian & 1145 HA/AA  
Western Horsemanship 15-18**

**A H A**

**Section SF/F**

# Western Horsemanship

## LEVEL 3 • PATTERN YY

*The drawn description of this pattern is only intended for the general depiction of the pattern. Exhibitors should utilize the arena to best exhibit their horses.*

Be ready at marker A.

Lope right lead, simple change of lead, left lead counter canter.

Extended jog.

Jog a square.

Extended jog.

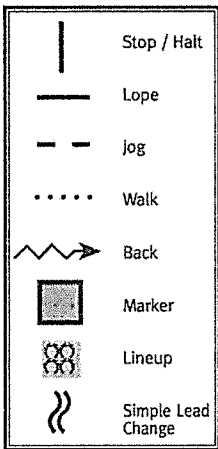
Stop when even with marker A. Execute a 360-degree turn to the left on the haunches.

Back at least 1 horse length.

Execute 90-degree turn right on the haunches.

Walk, stop.

Return to line up or exit arena as directed by ringmaster.



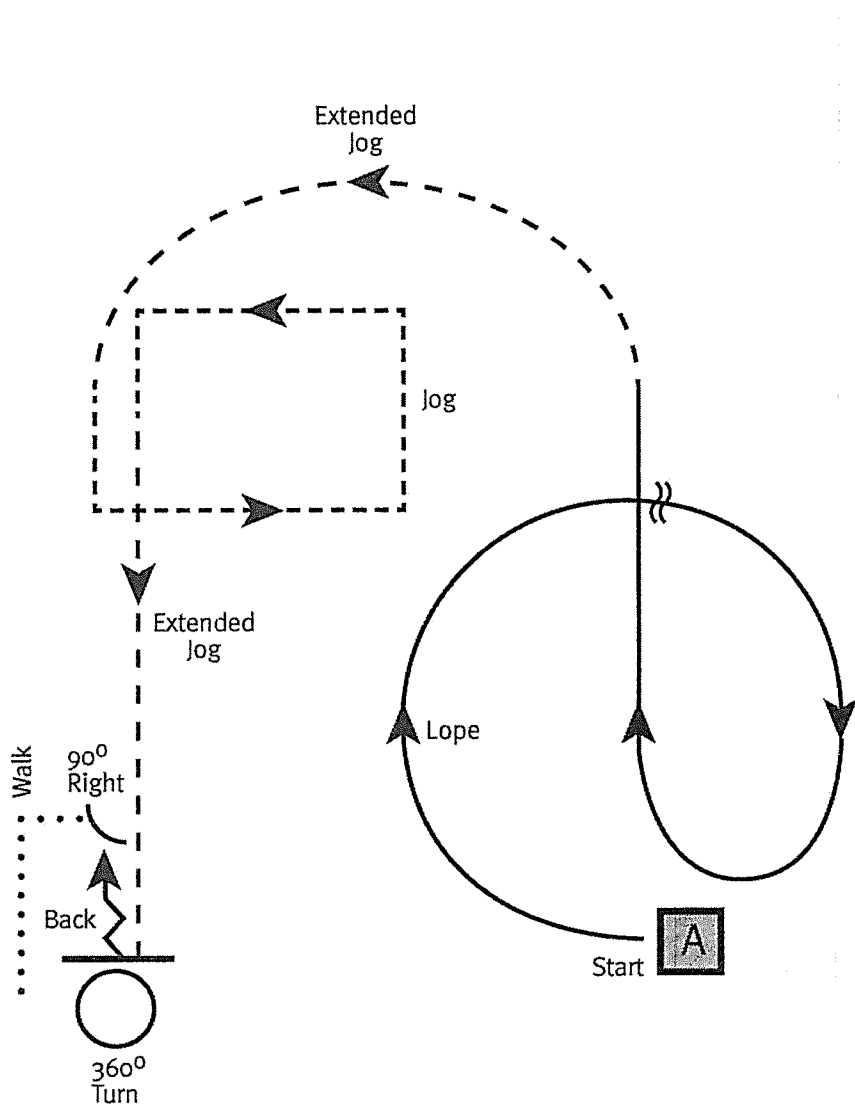
*This pattern may only be used for:*

- 14-18      • 19 & Over

*This pattern may NOT be used for:*

- 13 & Under      • 14 & Under

*If used at a Regional or National Show, pattern may not be run from the lineup.*



## 2024 YOUTH &amp; MID SUMMER NATIONALS

Jul 17 2024

Class# 1145 SFF Order-Of-Go  
 HA/AA Western Horsemanship JTR 15 - 18 CH  
 Judge: Shari Odom Michael Dimianos Jeff Lee

# Horses Shown: \_\_\_\_\_  
 Time Start: \_\_\_\_\_ End: \_\_\_\_\_

Place	Exhibit#	ID & Horse Name/SireXDam ..	Breeder	Handler	Owner
< 1 >	574	<b>STARLIGHTS PAISLEIGH</b> ZIMMERMAN, HILLARY & CHARLES		SAMANTHA SMITH	SMITH, CHRISTINA OR JASON PARADISE CA
< 2 >	209	<b>REMI MARTIN</b> CANIZARES, SAYDA		ASHLYN KOY	SITOMER, GABRIELLE A HOUSTON TX
< 3 >	912	<b>MAJOR METALLICA V</b> HAIGH, TONI P		SAVANNA SEETON	YORK, RONALD H OR DEBRA A ATASCADERO CA
< 4 >	804	<b>FISTFULL OF DOLLARSS</b> BATES, BRUCE OR LYNN		SKYLAR YOUNG	MCDONALD, BRYNN MARIE & DEBORAH BILLINGS MT
< 5 >	708	<b>SCARBOROUGH</b> CARLSON, BROOKE OR CORY OR CLAYTON		KRISTYNA DOLNIK	DOLNIK, KRISTYNA OR MARKET A PALO ALTO CA
< 6 >	181 BE	<b>HOTTIMEINMOTOWN RA +//</b> ROCKENBACH, CATHERINE C		CLARA FULLILOVE	FULLILOVE, CLARA OR EMMA HOUSTON TX
< 7 >	722 BE	<b>MOCHA JAVA CHIP +//</b> BUCKSHOT FARMS		TARYN TODD	TODD, TAMARA OR TARYN VANCOUVER WA
< 8 >	719	<b>BLENDED WHIZKEY</b> RHODES RIVER RANCH		GRACE SMITH	SMITH, GRACE & SHELLY ORTING WA
< 9 >	770	<b>SF TUCKS BIG BANG</b> EIBERGER, JANNA & DAVID		EVA MATTHIAS	MATTHIAS, LON OR KIM NORWALK IA
< 10 >	215 BE	<b>SPECIALISTT +</b> MCGURRAN, MIRIAM		BRIANNA TRABOW	TRABOW, BARBARA JEAN SAHUARITA AZ
< 11 >	867	<b>SH IMVAGUELYSURPRISED</b> SAGE HILL ARABIANS		EMILY STUCKY	SHAW, KAREN ORO VALLEY AZ
< 12 >	219 BE	<b>BSF BUFFALO BILL CODY +//</b> BUCKSHOT FARMS		GRACIE GUADAGNOLO	GUADAGNOLO, ANTHONY OR GRACE CAVE CREEK AZ
< 13 >	174 OE	<b>SH DUDES DIABLO</b> SAGE HILL ARABIANS		ANABELLE THOM	THOM, ANABELLE OR CEPAK TIFFANY FRIENDSWOOD TX
< 14 >	851 BE	<b>LEGACYBLACKWHITE NITE</b> WILLIAMS-BAITY, KATHIE		PEYTON ATKINS	ATKINS, PEYTON AND ATKINS LORI BATTLE GROUND WA

## Order Of Go

Count: 14

1145 HA/AA Western Horsemanship JTR 15 - 18 CH

## 2024 YOUTH &amp; MID SUMMER NATIONALS

## Performance Class

Jul 18 2024 09:02

1145 SFF 1145 HA/AA Western Horsemanship JTR 15 - 18 CH

Judge: Shari Odom Michael Damianos Jeff Lee

Back#	Horse /Sire x Dam	Handler / Breeder	Owner Name
174 OE	<b>SH DUDES DIABLO</b> BUENOS PARTEE DUDE X NOBLE DIANA	ANABELLE THOM SAGE HILL ARABIANS	THOM, ANABELLE OR CEPAK TIFFANY FRIENDSWOOD TX
181 BE	<b>HOTTIMEINMOTOWN RA +//</b> TA MOZART X DELICATTA	CLARA FULLILOVE ROCKENBACH, CATHERINE C	FULLILOVE, CLARA OR EMMA HOUSTON TX
209	<b>REMI MARTIN</b> HOLLYWOOD REMINIC X TA CAARLIE	ASHLYN KOY CANIZARES, SAYDA	SITOMER, GABRIELLE A HOUSTON TX
215 BE	<b>SPECIALISTT +</b> GUNNERS SPECIAL NITE X LOLITA V	BRIANNA TRABOW MCGURRAN, MIRIAM	TRABOW, BARBARA JEAN SAHUARITA AZ
219 BE	<b>BSF BUFFALO BILL CODY +//</b> WERE DUN X ABLANTIQUA	GRACIE GUADAGNOLO BUCKSHOT FARMS	GUADAGNOLO, ANTHONY OR GRACE CAVE CREEK AZ
574	<b>STARLIGHTS PAISLEIGH</b> BUENO STARLIGHT X PAISLEIGH	SAMANTHA SMITH ZIMMERMAN, HILLARY & CHARLES	SMITH, CHRISTINA OR JASON PARADISE CA
708	<b>SCARBOROUGH</b> ASLAN PF X CREME BRULEE	KRISTYNA DOLNIK CARLSON, BROOKE OR CORY OR CLAYTON	DOLNIK, KRISTYNA OR MARKET PALO ALTO CA
719	<b>BLENDED WHIZKEY</b> WHIZKEY N DIAMONDS X VALARITA	GRACE SMITH RHODES RIVER RANCH	SMITH, GRACE & SHELLY ORTING WA
722 BE	<b>MOCHA JAVA CHIP +//</b> WERE DUN X ELZEDA	TARYN TODD BUCKSHOT FARMS	TODD, TAMARA OR TARYN VANCOUVER WA
770	<b>SF TUCKS BIG BANG</b> TUCKNICOLOR X WC EKSPLOZJA	EVA MATTHIAS EIBERGER, JANNA & DAVID	MATTHIAS, LON OR KIM NORWALK IA
804	<b>FISTFULL OF DOLLARSS</b> LIGHT THE PISTOL X PROM QUEEN	SKYLAR YOUNG BATES, BRUCE OR LYNN	MCDONALD, BRYNN MARIE & DEBORAH BILLINGS MT
851 BE	<b>LEGACYBLACKWHITE NITE</b> MIDNTE PLEASURE L X LA OH MY MY	PEYTON ATKINS WILLIAMS-BAITY, KATHIE	ATKINS, PEYTON AND ATKINS LORI BATTLE GROUND WA
867	<b>SH IMVAGUELYSURPRISED</b> JERRY LEES SURPRISE X SAGE HILL KARLA	EMILY STUCKY SAGE HILL ARABIANS	SHAW, KAREN ORO VALLEY AZ
912	<b>MAJOR METALLICA V</b> MAJOR MAC V X LEXUS	SAVANNA SEETON HAIGH, TONI P	YORK, RONALD H OR DEBRA A ATASCADERO CA

Count: 14