

# Ring Sheet

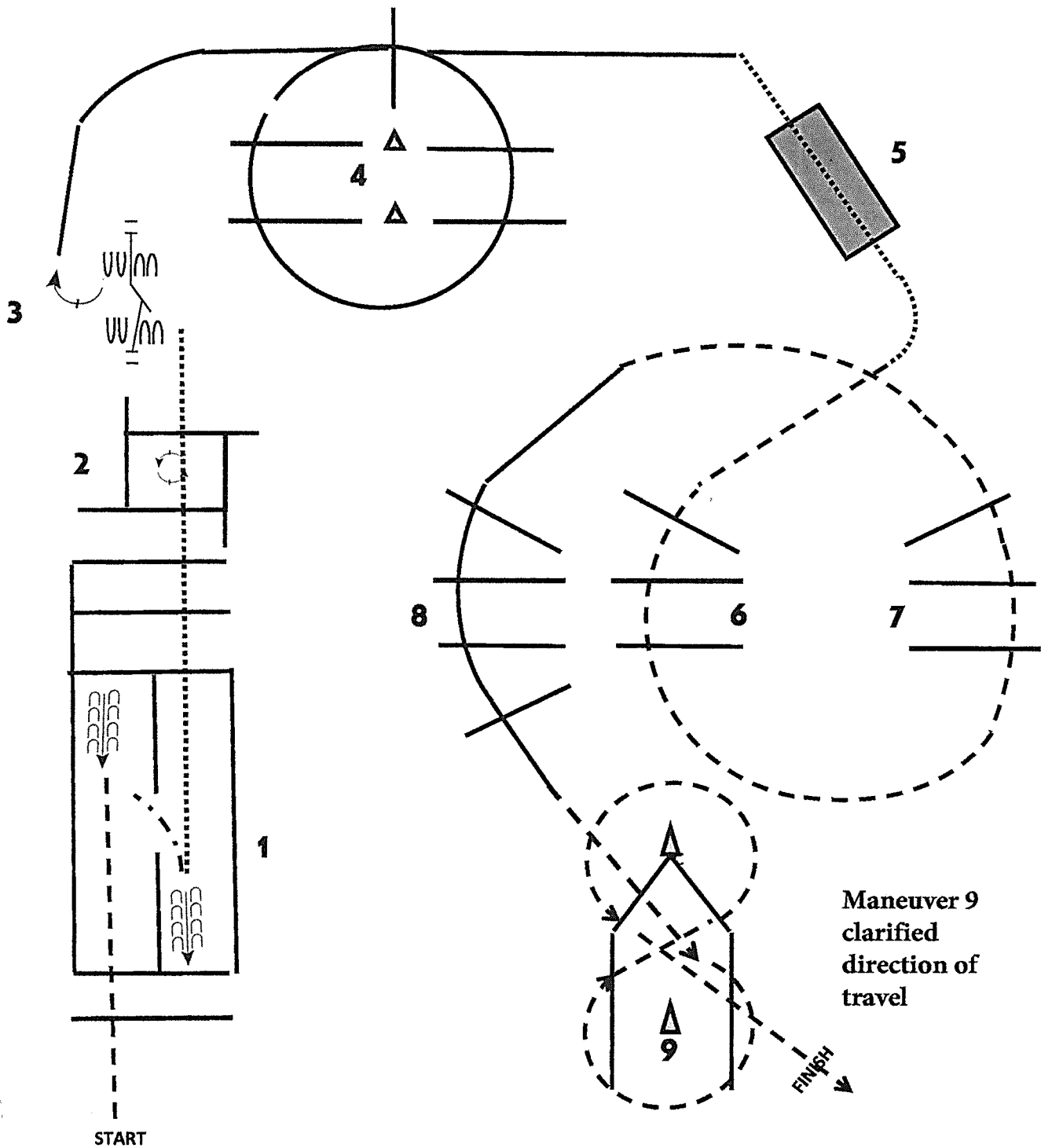
**Monday, July 22, 2024**

## 2024 YOUTH/MID SUMMER NATIONAL CHAMPIONSHIPS PERFORMANCE ARENA - ALL DAY

Class#	Class	Sec	Judge Order	1st Time Shown	Pat	EXP #	ABC #	PRE #	Comments
180	Arabian English Trail Champ	FNL	<u>Damianos, Lee, Odom</u>			9	8		
692	HA/AA English Trail Horse CH	FNL	<u>Damianos, Lee, Odom</u>			8	8		
2481	Arabian English Trail Horse AATR CH	FNL	<u>Damianos, Lee, Odom</u>			6	6		
2483	HA/AA English Trail Horse AATR CH	FNL	<u>Damianos, Lee, Odom</u>			7	7		
2390	Arabian English Trail JTR CH	FNL	<u>Damianos, Lee, Odom</u>			4	4		
2384	HA/AA English Trail JTR 18 & Under CH	FNL	<u>Damianos, Lee, Odom</u>			5	5		
1535	Arabian Western Trail JTR Select CH	FNL	<u>Damianos, Lee, Odom</u>			2	2		
1888	HA/AA Western Trail JTR Select CH	FNL	<u>Damianos, Lee, Odom</u>			4	4		
1174	Arabian Western Trail JOTR CH	FNL	<u>Damianos, Lee, Odom</u>			4	5		
213	Arabian Western Trail AOTR Champ	FNL	<u>Damianos, Lee, Odom</u>			5	6		
1176	HA/AA Western Trail JOTR CH	FNL	<u>Damianos, Lee, Odom</u>			8	8		
648	HA/AA Western Trail Horse AOTR Champ	FNL	<u>Damianos, Lee, Odom</u>			11	11		
1569	Arabian Ranch Horse Riding JOTR CH	SFF	<u>Damianos, Lee, Odom</u>			11			
1571	HA/AA Ranch Horse Riding JOTR CH	SFF	<u>Damianos, Lee, Odom</u>			18			
3043	Arabian Ranch Riding AATR CH	SFF	<u>Damianos, Lee, Odom</u>			13			

Designs by: A/S Trail Equipment & Services COPYRIGHT 2024 Arabian Youth Nationals classes : 180 FNL , 692 FNL, 2481 FNL, 2483 FNL, Arabian English CH FNL, HA/AA Arabian English CH FNL, Arabian English AATR CH FNL, HA/AA Arabian English AATR CH FNL

1. trot into chute back corner then walk out over poles into box 2. 360 turn to the right then walk out to gate 3. left hand push gate 4. from gate 180 turn to right then right lead canter over poles 5. Break to walk or stop and walk over bridge 6. trot over poles 7. continue to trot over poles 8. left lead canter over poles 9. break to trot through figure eight to finish



**Class 180 Arabian English Trail  
First Go/Semi-Final**

<b>Go Order</b>	<b>Back #</b>	<b>Horse</b>	<b>Rider</b>
1	391	PHARAOH CRF +++/	HERNANDEZ, COLBY
2	321	BROWN SUGAR BOURBON ++//	HALPAIN, LISA I
3	238	AGILITY BY NOBILITY +/	HITT, JIM
4	953	FOOTLOOSE N FANCY RS	LECLAIR, LANE
5	535	SWEET SURRENDER RA	NELSON, TRISH
6	803	RD KORDOVA +	BRADLEY, STERLING
7	893	RS CLASS ACT +++/	STEINER, KATIE
8	243	WERDYCT +/	HITT, JIM
9	698	ADESSA SS +//	BEIN, JESSICA

**Class 180 Arabian English Trail  
Second Go/Final**

<b>Go Order</b>	<b>Back #</b>	<b>Horse</b>	<b>Rider</b>
1	535	SWEET SURRENDER RA	NELSON, TRISH
2	243	WERDYCT +/	HITT, JIM
3	893	RS CLASS ACT +++/	STEINER, KATIE
4	803	RD KORDOVA +	BRADLEY, STERLING
5	698	ADESSA SS +//	BEIN, JESSICA
6	391	PHARAOH CRF +++/	HERNANDEZ, COLBY
7	953	FOOTLOOSE N FANCY RS	LECLAIR, LANE
8	321	BROWN SUGAR BOURBON ++//	HALPAIN, LISA I
9	238	AGILITY BY NOBILITY +/	HITT, JIM

*Order Of Go*

## 2024 YOUTH &amp; MID SUMMER NATIONALS

## Performance Class

Jul 21 2024 13:34

180 FNL 180 Arabian English Trail Champ

Judge: Michael Damianos Jeff Lee Sheri Odom

Back#	Horse /Sire x Dam	Handler / Breeder	Owner Name
238	<b>AGILITY BY NOBILITY +/</b>	JIM HITT	HYRICK, JONI
BE	MHR NOBILITY X BAYCHELSEA V	HYRICK, JONI	PENDLETON NY
243	<b>WERDYCT +/</b>	JIM HITT	MANNICK, ANGELA & HAILEY
	KALALOCH + X ECAHOS JEWEL WC	BROWN, SHELLY	PARKER CO
321	<b>BROWN SUGAR BOURBON ++//</b>	LISA I HALPAIN	HALPAIN, LISA I
	PAYBACK TYPHOON X HJH	BINGHAM, CINDY M OR AARON J	ROCKWALL TX
	SURREAL MCCOY		
391	<b>PHARAOH CRF +++/</b>	COLBY HERNANDEZ	HERNANDEZ, COLBY
BE	EKSTERN X PERFIRKA	BIALKA STATE STUD FARM	MORRISTON FL
535	<b>SWEET SURRENDER RA</b>	TRISH NELSON	NELSON, TRISH
BE	TA MOZART X AL-MARAH AMELIUS	AMES, RICHARD	TUCSON AZ
	+		
698	<b>ADESSA SS +//</b>	JESSICA BEIN	DANIEL, ASHLYE
	PA GAZSI X CASSANDRA SS	NORIKA ARABIANS	FREDERICKSBURG TX
803	<b>RD KORDOVA +</b>	STERLING BRADLEY	MAYBERRY, SHERI
BE	EDEN C X SAN JOSE JAVIERA	POPPLEWELL, MURRAY OR	WYLIE TX
		SHIRLEY	
893	<b>RS CLASS ACT +++/</b>	KATIE STEINER	BROWN, JOANIE
	CA MONTE VISTA X WO	STAUDINGER, ADRIEEN R	FARMERSVILLE TX
	INDEPENDENCE BEY		
953	<b>FOOTLOOSE N FANCY RS</b>	LANE LECLAIR	RANCHO SONADO LLC
BE	MACNIFICENT RS + X FLOWER	RANCHO SONADO LLC	SAHUARITA AZ
	GIRL V		

Count: 9

**Class 692 HA/AA English Trail  
First Go/Semi-Final**

<b>Go Order</b>	<b>Back #</b>	<b>Horse</b>	<b>Rider</b>
1	245	M GETTIN ER DUN ++++//	HITT, JIM
2	800	KMA SKY METO THEMOON ++//	YOUNG, SKYLAR
3	798	CA TEMPTING +//	BRADLEY, STERLING
4	219	BSF BUFFALO BILL CODY +//	BEIN, JESSICA
5	1009	ZEE MACARONI +++//	MITCHELL, JILL
6	215	SPECIALISTT +	SCHEYLI, SCOTT
7	246	TR BUTCH CASSIDY ++++//	HITT, JIM
8	799	LEGACY NIGHT VIXEN +	BRADLEY, STERLING

**Class 692 HA/AA English Trail  
Second Go/Final**

<b>Go Order</b>	<b>Back #</b>	<b>Horse</b>	<b>Rider</b>
1	215	SPECIALISTT +	SCHEYLI, SCOTT
2	799	LEGACY NIGHT VIXEN +	BRADLEY, STERLING
3	246	TR BUTCH CASSIDY ++++//	HITT, JIM
4	1009	ZEE MACARONI +++//	MITCHELL, JILL
5	800	KMA SKY METO THEMOON ++//	YOUNG, SKYLAR
6	219	BSF BUFFALO BILL CODY +//	BEIN, JESSICA
7	798	CA TEMPTING +//	BRADLEY, STERLING
8	245	M GETTIN ER DUN ++++//	HITT, JIM

*Order Of Go*

## 2024 YOUTH &amp; MID SUMMER NATIONALS

## Performance Class

Jul 21 2024 13:34

692 FNL 692 HA/AA English Trail Horse CH

Judge: Michael Damianos Jeff Lee Sheri Odom

Back#	Horse /Sire x Dam	Handler / Breeder	Owner Name
215	<b>SPECIALISTT +</b>	SCOTT SCHEYLI	TRABOW, BARBARA JEAN
BE	GUNNERS SPECIAL NITE X LOLITA V	MCGURRAN, MIRIAM	SAHUARITA AZ
219	<b>BSF BUFFALO BILL CODY +//</b>	JESSICA BEIN	GUADAGNOLO, ANTHONY OR GRACE
BE	WERE DUN X ABL ANTIQUA	BUCKSHOT FARMS	CAVE CREEK AZ
245	<b>M GETTIN ER DUN ++++//</b>	JIM HITT	STETMAN, MIGNON OR GREG
OE	SVS FORNAIO X OTOES GOLD IN MOTION	EPSTEIN, MARCIA A	CASTLE ROCK CO
246	<b>TR BUTCH CASSIDY ++++//</b>	JIM HITT	BUNKER, BONNIE OR BROOKE
BE	SUNDANCE KID V X CHIP DOT COMM	WOLF SPRINGS RANCHES INC	STEAMBOAT SPRINGS CO
798	<b>CA TEMPTING +//</b>	STERLING BRADLEY	BARNES, CHERYL
BE	TWC AWESOME X DEE MASTER FLASH	CARUTH, ROBERT M	DENTON TX
799	<b>LEGACY NIGHT VIXEN +</b>	STERLING BRADLEY	WOODS, NANCY
	MIDNTE PLEASURE L X EBONY	WILLIAMS-BAITY, KATHIE	HOUSTON TX
800	<b>KMA SKY METO THEMOON ++//</b>	SKYLAR YOUNG	YOUNG, SKYLAR
BE	SKY FIGHTER X KMA BAIEDA	KARMA ARABIANS	AUBREY TX
1009	<b>ZEE MACARONI +++//</b>	JILL MITCHELL	DUNLAP, JANET M
BE	ZEE MEGA BUCKS X WINDERFULS MERCY	WITTY, DEB	EXETER CA

Count: 8

**Class 2481 Arabian English Trail AATR  
First Go/Semi-Final**

<b>Go Order</b>	<b>Back #</b>	<b>Horse</b>	<b>Rider</b>
1	172	MOVES LIKE JAGGER DD +	THOM, OLIVIA
2	243	WERDYCT +/	MANNICK, ANGELA R
3	321	BROWN SUGAR BOURBON ++//	HALPAIN, LISA I
4	803	RD KORDOVA +	MAYBERRY, SHERI
5	535	SWEET SURRENDER RA	CAUSEY, FRANCES
6	391	PHARAOH CRF +++/	HERNANDEZ, COLBY

**Class 2481 Arabian English Trail AATR  
Second Go/Final**

<b>Go Order</b>	<b>Back #</b>	<b>Horse</b>	<b>Rider</b>
1	243	WERDYCT +/	MANNICK, ANGELA R
2	391	PHARAOH CRF +++/	HERNANDEZ, COLBY
3	535	SWEET SURRENDER RA	CAUSEY, FRANCES
4	803	RD KORDOVA +	MAYBERRY, SHERI
5	172	MOVES LIKE JAGGER DD +	THOM, OLIVIA
6	321	BROWN SUGAR BOURBON ++//	HALPAIN, LISA I

*Order Of Go*

## 2024 YOUTH &amp; MID SUMMER NATIONALS

## Performance Class

Jul 21 2024 13:35

2481 FNL 2481 Arabian English Trail Horse AATR CH

Judge: Michael Damianos Jeff Lee Sheri Odom

Back#	Horse /Sire x Dam	Handler / Breeder	Owner Name
172 BE	<b>MOVES LIKE JAGGER DD +</b> EDEN C X PASSIONS	OLIVIA THOM OLVEY, DON	THOM, OLIVIA OR CEPAK TIFFANY FRIENDSWOOD TX
243	<b>WERDYCT +/</b> KALALOH + X ECAHOS JEWEL WC	ANGELA R MANNICK BROWN, SHELLY	MANNICK, ANGELA & HAILEY PARKER CO
321	<b>BROWN SUGAR BOURBON ++//</b> PAYBACK TYPHOON X HJH SURREAL MCCOY	LISA I HALPAIN BINGHAM, CINDY M OR AARON J	HALPAIN, LISA I ROCKWALL TX
391 BE	<b>PHARAOH CRF +++/</b> EKSTERN X PERFIRKA	COLBY HERNANDEZ BIALKA STATE STUD FARM	HERNANDEZ, COLBY MORRISTON FL
535 BE	<b>SWEET SURRENDER RA</b> TA MOZART X AL-MARAH AMELIUS +	FRANCES CAUSEY AMES, RICHARD	NELSON, TRISH TUCSON AZ
803 BE	<b>RD KORDOVA +</b> EDEN C X SAN JOSE JAVIERA	SHERI MAYBERRY POPPLEWELL, MURRAY OR SHIRLEY	MAYBERRY, SHERI WYLIE TX

Count: 6



**Class 2483 HA/AA English Trail AATR**  
**First Go/Semi-Final**

<b>Go Order</b>	<b>Back #</b>	<b>Horse</b>	<b>Rider</b>
1	911	WOLF RIDGE PONDEROSA +/	PERRY, JORDAN
2	246	TR BUTCH CASSIDY +++++//	BUNKER, BONNIE
3	867	SH IMVAGUELYSURPRISED	SHAW, KAREN
4	798	CA TEMPTING +//	BARNES, CHERYL
5	799	LEGACY NIGHT VIXEN +	WOODS, NANCY
6	119	BOS STORMY ECLIPSE	HIGGINBOTHAM, MEGAN
7	245	M GETTIN ER DUN +++++//	STETMAN, MIGNON J

**Class 2483 HA/AA English Trail AATR**  
**Second Go/Final**

<b>Go Order</b>	<b>Back #</b>	<b>Horse</b>	<b>Rider</b>
1	799	LEGACY NIGHT VIXEN +	WOODS, NANCY
2	119	BOS STORMY ECLIPSE	HIGGINBOTHAM, MEGAN
3	798	CA TEMPTING +//	BARNES, CHERYL
4	245	M GETTIN ER DUN +++++//	STETMAN, MIGNON J
5	246	TR BUTCH CASSIDY +++++//	BUNKER, BONNIE
6	911	WOLF RIDGE PONDEROSA +/	PERRY, JORDAN
7	867	SH IMVAGUELYSURPRISED	SHAW, KAREN

*Order Of Go*

2024 YOUTH & MID SUMMER NATIONALS

Performance Class

Jul 21 2024 13:35

2483 FNL 2483 HA/AA English Trail Horse AATR CH

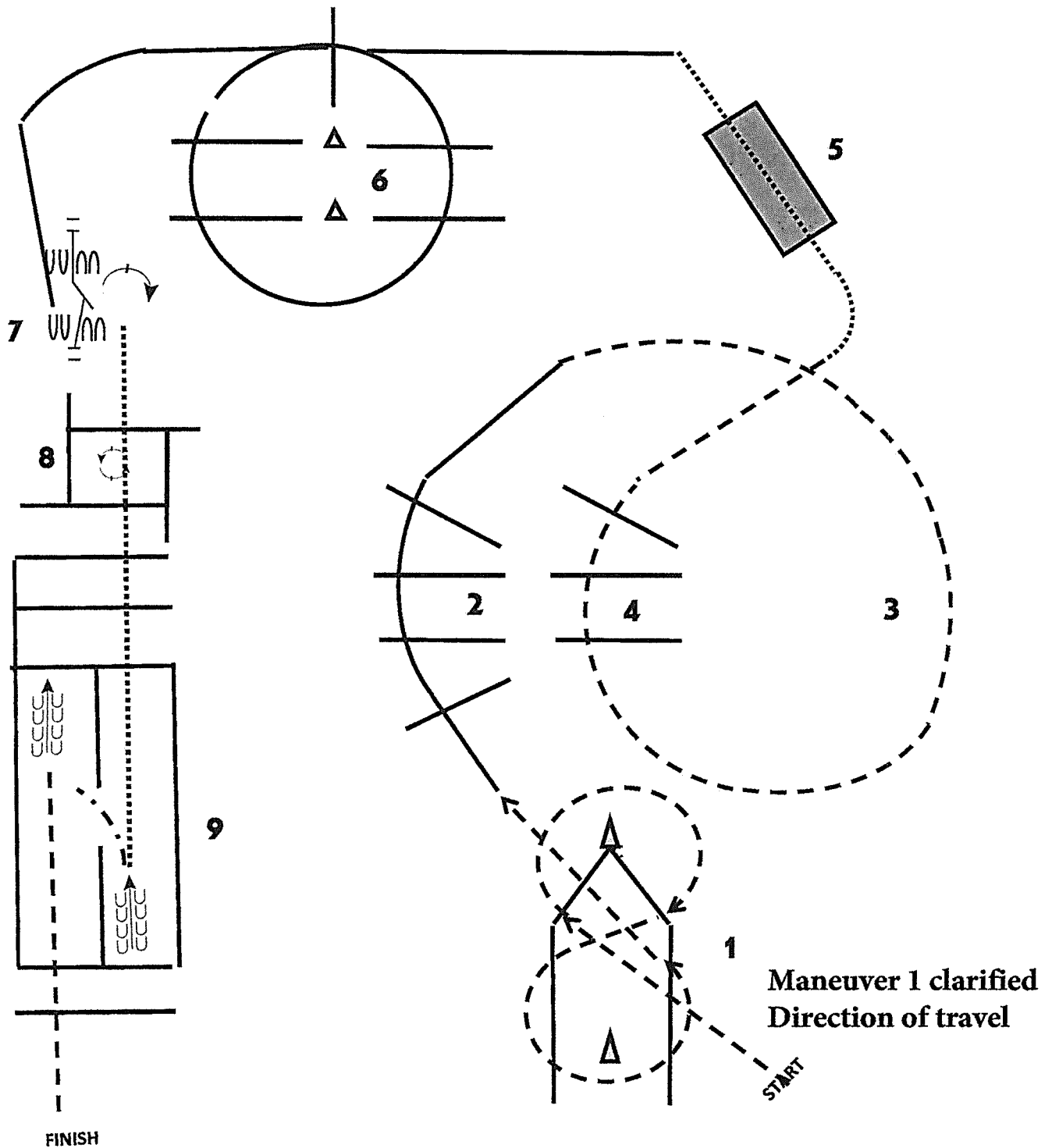
Judge: Michael Damianos Jeff Lee Sheri Odom

Back#	Horse /Sire x Dam	Handler / Breeder	Owner Name
119	<b>BOS STORMY ECLIPSE</b> MR BO BUTTON X BASK EL BEY ECLIPSE	MEGAN HIGGINBOTHAM MCKINLEY, CAROLYN	HIGGINBOTHAM, MEGAN MERIDIAN ID
245 OE	<b>M GETTIN ER DUN +++++//</b> SVS FORNAIO X OTOES GOLD IN MOTION	MIGNON J STETMAN EPSTEIN, MARCIA A	STETMAN, MIGNON OR GREG CASTLE ROCK CO
246 BE	<b>TR BUTCH CASSIDY +++++//</b> SUNDANCE KID V X CHIP DOT COMM	BONNIE BUNKER WOLF SPRINGS RANCHES INC	BUNKER, BONNIE OR BROOKE STEAMBOAT SPRINGS CO
798 BE	<b>CA TEMPTING +//</b> TWC AWESOME X DEE MASTER FLASH	CHERYL BARNES CARUTH, ROBERT M	BARNES, CHERYL DENTON TX
799	<b>LEGACY NIGHT VIXEN +</b> MIDNTE PLEASURE L X EBONY	NANCY WOODS WILLIAMS-BAITY, KATHIE	WOODS, NANCY HOUSTON TX
867	<b>SH IMVAGUELYSURPRISED</b> JERRY LEES SURPRISE X SAGE HILL KARLA	KAREN SHAW SAGE HILL ARABIANS	SHAW, KAREN ORO VALLEY AZ
911	<b>WOLF RIDGE PONDEROSA +/-</b> RFF STARBUCK X SALONS CRYSTAL	JORDAN PERRY KESTERKE, MISSY	PERRY, RENEE OR JORDAN EAST HELENA MT

Count: 7

Designs by: A/S Trail Equipment & Services COPYRIGHT 2024 Arabian Youth Nationals classes : 2390 FNL, 2384 FNL : Arabian English JTR CH FNL, HA/AA Arabian English JTR CH FNL

1. trot figure eight 2. right lead canter over poles 3. break to trot over poles 4. continue to trot over poles 5. Break to walk or stop and walk over bridge 6. left lead canter over poles to gate 7. left hand push gate turn 180 to right & walk into box 8. do 360 to left & walk out of box 9. walk over poles into chute then back corner then trot out over poles to finish



**Class 2390 Arabian English Trail JTR**

**First Go/Semi-Final**

<b>Go Order</b>	<b>Back #</b>	<b>Horse</b>	<b>Rider</b>
1	205	SALTY JOHN ++/	MATLOCK, ANNA
2	180	CP DAUNTLESS +//	FULLILOVE, CLARA
3	803	RD KORDOVA +	YOUNG, SKYLAR
4	172	MOVES LIKE JAGGER DD +	THOM, ANABELLE

**Class 2390 Arabian English Trail JTR**

**Second Go/Final**

<b>Go Order</b>	<b>Back #</b>	<b>Horse</b>	<b>Rider</b>
1	803	RD KORDOVA +	YOUNG, SKYLAR
2	172	MOVES LIKE JAGGER DD +	THOM, ANABELLE
3	180	CP DAUNTLESS +//	FULLILOVE, CLARA
4	205	SALTY JOHN ++/	MATLOCK, ANNA

***Order Of Go***

2024 YOUTH & MID SUMMER NATIONALS

Jul 21 2024 13:36

Performance Class

2390 FNL 2390 Arabian English Trail JTR CH

Judge: Michael Damianos Jeff Lee Sheri Odom

Back#	Horse /Sire x Dam	Handler / Breeder	Owner Name
172	<b>MOVES LIKE JAGGER DD +</b>	ANABELLE THOM	THOM, OLIVIA OR CEPAK TIFFANY
BE	EDEN C X PASSIONS	OLVEY, DON	FRIENDSWOOD TX
180	<b>CP DAUNTLESS +//</b>	CLARA FULLILOVE	FULLILOVE, CLARA OR EMMA
BE	BASKE AFIRE X CP PRINCESS	CAL POLY POMONA	HOUSTON TX
205	<b>SALTY JOHN ++/</b>	ANNA MATLOCK	GASSEN, LAUREN OR ALEXIS
BE	GS KHOCHISE +++// X SHEZN UPTOWN GIRL	HODGSON, JIM OR MARILYN	PEARLAND TX
803	<b>RD KORDOVA +</b>	SKYLAR YOUNG	MAYBERRY, SHERI
BE	EDEN C X SAN JOSE JAVIERA	POPPLEWELL, MURRAY OR SHIRLEY	WYLIE TX

Count: 4

**Class 2384 HA/AA English Trail JTR  
First Go/Semi-Final**

Go Order	Back #	Horse	Rider
1	800	KMA SKY METO THEMOON +++//	YOUNG, SKYLAR
2	867	SH IMVAGUELYSURPRISED	STUCKY, EMILY
3	219	BSF BUFFALO BILL CODY +//	GUADAGNOLO, GRACIE
4	851	LEGACYBLACKWHITE NITE	ATKINS, PEYTON
<del>5</del>	<del>708</del>	<del>SCARBOROUGH</del>	<del>DOLNIK, KRISTYNA</del> <i>Scratch</i>
6	174	SH DUDES DIABLO	THOM, ANABELLE

**Class 2384 HA/AA English Trail JTR  
Second Go/Final**

Go Order	Back #	Horse	Rider
1	174	SH DUDES DIABLO	THOM, ANABELLE
<del>2</del>	<del>708</del>	<del>SCARBOROUGH</del>	<del>DOLNIK, KRISTYNA</del> <i>Scratch</i>
<del>3</del>	851	LEGACYBLACKWHITE NITE	ATKINS, PEYTON
4	800	KMA SKY METO THEMOON +++//	YOUNG, SKYLAR
5	867	SH IMVAGUELYSURPRISED	STUCKY, EMILY
6	219	BSF BUFFALO BILL CODY +//	GUADAGNOLO, GRACIE

*7/19 - 1  
MJK  
due TO  
Conflict  
in  
Nicks*

*Order Of Go*

2024 YOUTH & MID SUMMER NATIONALS

Performance Class

Jul 21 2024 13:36

2384 FNL 2384 HA/AA English Trail JTR 18 & Under CH

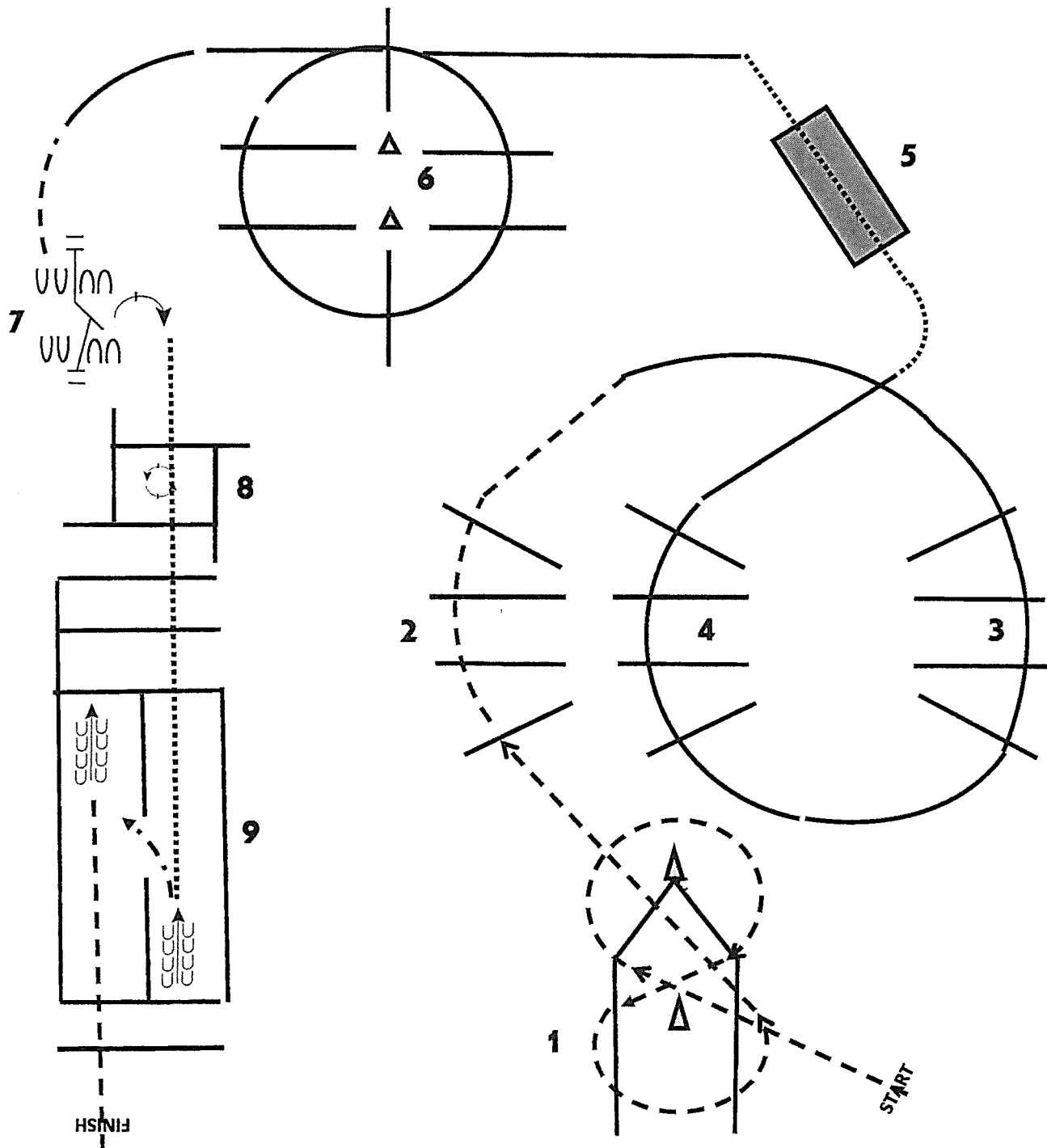
Judge: Michael Damianos Jeff Lee Sheri Odom

Back#	Horse /Sire x Dam	Handler / Breeder	Owner Name
174	<b>SH DUDES DIABLO</b>	ANABELLE THOM	THOM, ANABELLE OR CEPAK TIFFANY
OE	BUENOS PARTEE DUDE X NOBLE DIANA	SAGE HILL ARABIANS	FRIENDSWOOD TX
219	<b>BSF BUFFALO BILL CODY +//</b>	GRACIE GUADAGNOLO	GUADAGNOLO, ANTHONY OR GRACE
BE	WERE DUN X ABL ANTIQUA	BUCKSHOT FARMS	CAVE CREEK AZ
800	<b>KMA SKY METO THEMOON +++//</b>	SKYLAR YOUNG	YOUNG, SKYLAR
BE	SKY FIGHTER X KMA BAIEDA	KARMA ARABIANS	AUBREY TX
851	<b>LEGACYBLACKWHITE NITE</b>	PEYTON ATKINS	ATKINS, PEYTON AND ATKINS LORI
BE	MIDNTE PLEASURE L X LA OH MY MY	WILLIAMS-BAITY, KATHIE	BATTLE GROUND WA
867	<b>SH IMVAGUELYSURPRISED</b>	EMILY STUCKY	SHAW, KAREN
	JERRY LEES SURPRISE X SAGE HILL KARLA	SAGE HILL ARABIANS	ORO VALLEY AZ

Count: 5

Designs by: A/S Trail Equipment & Services COPYRIGHT 2024 Arabian Youth Nationals classes : 1535 FNL, 1888 FNL  
 : Arabian Western JTR Select CH, HA/AA Arabian Western JTR Select CH  
 FINALS

1. Jog figure 8 2. jog over poles 3. right lead lope over poles 4. continue right lead lope over poles 5. Break to walk or stop and walk over bridge 6. Left lead lope over poles 7. Break to jog to left hand push gate then 180 TURN to right 8. Walk into box and do 360 left walk out over poles 9. Walk into chute then back through opening then jog out over poles to finish





**Class 1535: Arabian Western Trail JTR Select  
First Go/Semi-Final**

<b>Go Order</b>	<b>Back #</b>	<b>Horse</b>	<b>Rider</b>
1	187	LUSKHATOV	HUTCHISON, CLARE
<del>2</del>	<del>206</del>	<del>CADILLAC KHOWBOY +</del>	<del>KOY, LONDON</del> <i>Scratch</i>
3	205	SALTY JOHN ++/	MATLOCK, ANNA

**Class 1535: Arabian Western Trail JTR Select  
Second Go/Final**

<b>Go Order</b>	<b>Back #</b>	<b>Horse</b>	<b>Rider</b>
1	205	SALTY JOHN ++/	MATLOCK, ANNA
2	187	LUSKHATOV	HUTCHISON, CLARE
<del>3</del>	<del>206</del>	<del>CADILLAC KHOWBOY +</del>	<del>KOY, LONDON</del> <i>Scratch</i>

**Order Of Go**

2024 YOUTH & MID SUMMER NATIONALS

Performance Class

Jul 21 2024 13:37

1535 FNL 1535 Arabian Western Trail JTR Select CH

Judge: Michael Damianos Jeff Lee Sheri Odom

Back#	Horse /Sire x Dam	Handler / Breeder	Owner Name
187	<b>LUSKHATOV</b> CJA HIGH KHALIBER X LISCATTA	CLARE HUTCHISON JOYCE, MARCIE L	HUTCHISON, CLARE OR JAMIE WEBSTER TX
205	<b>SALTY JOHN ++/</b> BE GS KHOCHISE +++// X SHEZN UPTOWN GIRL	ANNA MATLOCK HODGSON, JIM OR MARILYN	GASSEN, LAUREN OR ALEXIS PEARLAND TX

Count: 2

**Class 1888: HA/AA Western Trail JTR Select  
First Go/Semi-Final**

<b>Go Order</b>	<b>Back #</b>	<b>Horse</b>	<b>Rider</b>
1	708	SCARBOROUGH	DOLNIK, KRISTYNA
2	851	LEGACYBLACKWHITE NITE	ATKINS, PEYTON
3	291	HOLLYWOOD SUNSET	WAGGONER, VELA
4	867	SH IMVAGUELYSURPRISED	STUCKY, EMILY

**Class 1888: HA/AA Western Trail JTR Select  
Second Go/Final**

<b>Go Order</b>	<b>Back #</b>	<b>Horse</b>	<b>Rider</b>
1	851	LEGACYBLACKWHITE NITE	ATKINS, PEYTON
2	291	HOLLYWOOD SUNSET	WAGGONER, VELA
3	867	SH IMVAGUELYSURPRISED	STUCKY, EMILY
4	708	SCARBOROUGH	DOLNIK, KRISTYNA

*Order Of Go*

2024 YOUTH & MID SUMMER NATIONALS

Performance Class

Jul 21 2024 13:37

1888 FNL 1888 HA/AA Western Trail JTR Select CH

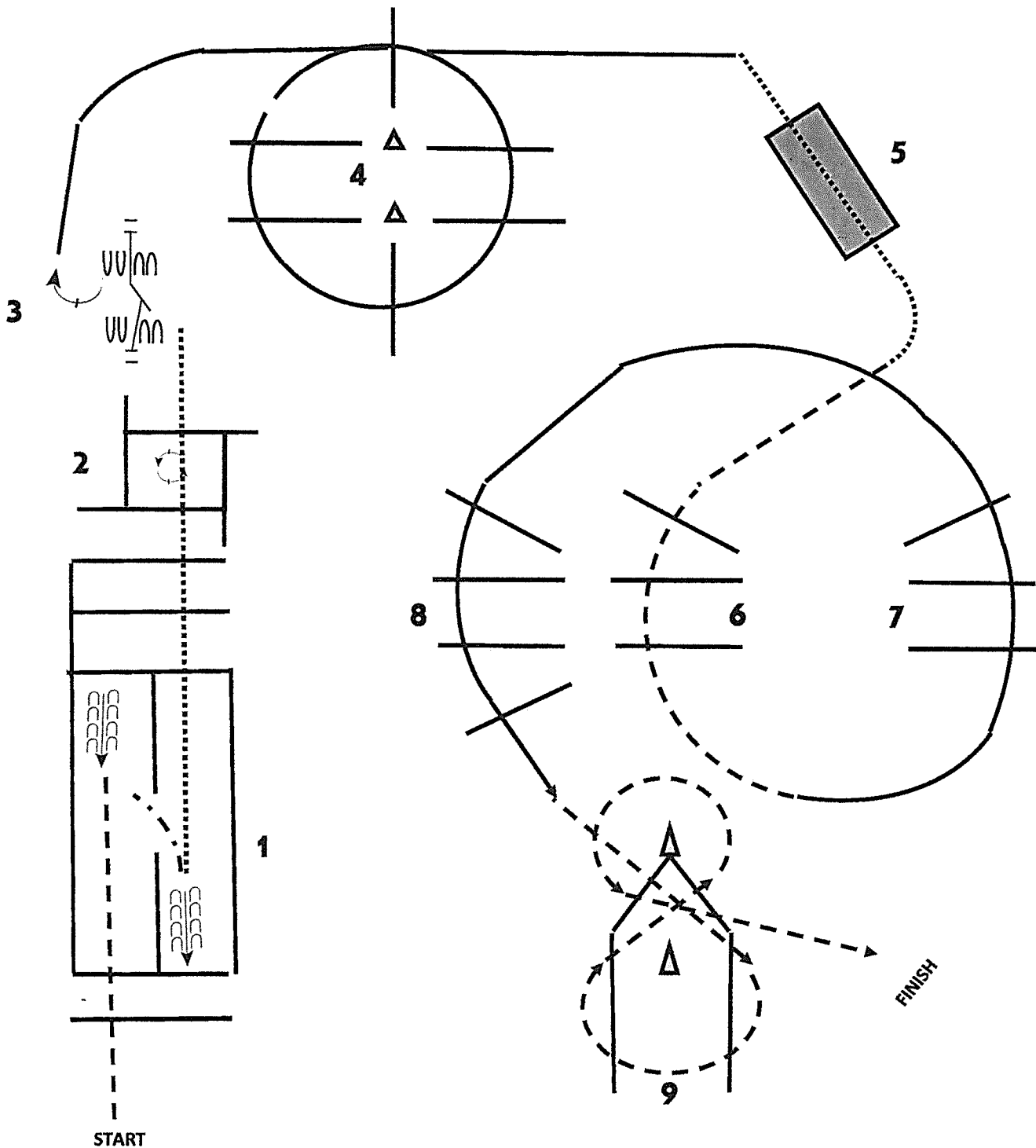
Judge: Michael Damianos Jeff Lee Sheri Odom

Back#	Horse /Sire x Dam	Handler / Breeder	Owner Name
291	<b>HOLLYWOOD SUNSET</b> HOLLYWOOD WHITE X ORA	VELA WAGGONER SCOTT, RONALD OR GIPSON, CAROLYN J	WAGGONER, LYRA TUCSON AZ
708	<b>SCARBOROUGH</b> ASLAN PF X CREME BRULEE	KRISTYNA DOLNIK CARLSON, BROOKE OR CORY OR CLAYTON	DOLNIK, KRISTYNA OR MARKET PALO ALTO CA
851 BE	<b>LEGACYBLACKWHITE NITE</b> MIDNTE PLEASURE L X LA OH MY MY	PEYTON ATKINS WILLIAMS-BAITY, KATHIE	ATKINS, PEYTON AND ATKINS LORI BATTLE GROUND WA
867	<b>SH IMVAGUELYSURPRISED</b> JERRY LEES SURPRISE X SAGE HILL KARLA	EMILY STUCKY SAGE HILL ARABIANS	SHAW, KAREN ORO VALLEY AZ

Count: 4

Designs by: A/S Trail Equipment & Services COPYRIGHT 2024 Arabian Youth Nationals classes : 1174FNL, 213 FNL, 1176 FNL, 648 FNL : Arabian Western JOTR 18 & Under CH, Arabian Western AOTR CH, HA/AA Arabian Western JOTR 18 & Under CH, HA/AA Arabian Western AOTR CH

1. jog into chute back corner then walk out over poles into box
2. 360 turn to the right then walk out to gate
3. left hand push gate
4. from gate 180 turn to right then right lead lope over poles
5. Break to walk or stop and walk over bridge
6. jog over poles
7. left lead lope over poles
8. continue left lead lope over poles
9. break to jog figure 8 to finish



**Class 1174: Arabian Western Trail JOTR**

**Class 213: Arabian Western Trail AOTR**

**First Go/Semi-Final**

<b>Go Order</b>	<b>Back #</b>	<b>Horse</b>	<b>Rider</b>
1	187	LUSKHATOV	HUTCHISON, CLARE
<del>2</del>	<del>206</del>	<del>CADILLAC KHOWBOY +</del>	<del>KOY, LONDON</del>
3	805	AAMERICAN EAGLE PKA	GERDES, PATRICIA
4	321	BROWN SUGAR BOURBON ++//	HALPAIN, LISA I
5	243	WERDYCT +/	MANNICK, HAILEY
6	803	RD KORDOVA +	MAYBERRY, SHERI
7	176	CA KINGSMAN ++/	LALLO, RILEY
8	244	LEGACY BLACK SABBATH +++/	STETMAN, MIGNON J
9	185	LOLITAS JAMAAL ++/	SOBRAL, ISABELLA
10	180	CP DAUNTLESS ++/	FULLILOVE, CLARA

*Scratch*

**Class 1174: Western Trail JOTR**

**Class 213: Arabian Western Trail AOTR**

**Second Go/Final**

<b>Go Order</b>	<b>Back #</b>	<b>Horse</b>	<b>Rider</b>
1	803	RD KORDOVA +	MAYBERRY, SHERI
2	180	CP DAUNTLESS ++/	FULLILOVE, CLARA
3	176	CA KINGSMAN ++/	LALLO, <i>Riley</i>
4	185	LOLITAS JAMAAL ++/	SOBRAL, ISABELLA
5	244	LEGACY BLACK SABBATH +++/	STETMAN, MIGNON J
<del>6</del>	<del>206</del>	<del>CADILLAC KHOWBOY +</del>	<del>KOY, LONDON</del>
7	321	BROWN SUGAR BOURBON ++//	HALPAIN, LISA I
8	243	WERDYCT +/	MANNICK, HAILEY
9	187	LUSKHATOV	HUTCHISON, CLARE
10	805	AAMERICAN EAGLE PKA	GERDES, PATRICIA

*Scratch*

**ORDER OF GO**

## 2024 YOUTH &amp; MID SUMMER NATIONALS

Jul 21 2024 13:39

## Performance Class

1174 FNL 1174 Arabian Western Trail JOTR CH

Judge: Michael Damianos Jeff Lee Sheri Odom

Back#	Horse /Sire x Dam	Handler / Breeder	Owner Name
176	<b>CA KINGSMAN ++/</b>	RILEY LALLO	LALLO, RILEY OR SUSAN
BE	TWC AWESOME X HILONIA HCF	CARUTH, TRACY WYNNE	PEARLAND TX
180	<b>CP DAUNTLESS +//</b>	CLARA FULLILOVE	FULLILOVE, CLARA OR EMMA
BE	BASKE AFIRE X CP PRINCESS	CAL POLY POMONA	HOUSTON TX
185	<b>LOLITAS JAMAAL +//</b>	ISABELLA SOBRAL	SOBRAL, ISABELLA OR LONG LAURIE
BE	JAKE JAMAAL JCA ++// X LOLITA V	MCGURRAN, MIRIAM	PEARLAND TX
187	<b>LUSKHATOV</b>	CLARE HUTCHISON	HUTCHISON, CLARE OR JAMIE
	CJA HIGH KHALIBER X LISCATTA	JOYCE, MARCIE L	WEBSTER TX
243	<b>WERDYCT +/</b>	HAILEY MANNICK	MANNICK, ANGELA & HAILEY
	KALALOGH + X ECAHOS JEWEL WC	BROWN, SHELLY	PARKER CO

Count: 5

2024 YOUTH & MID SUMMER NATIONALS

Performance Class

Jul 21 2024 13:39

213 FNL 213 Arabian Western Trail AOTR Champ

Judge: Michael Damianos Jeff Lee Sheri Odom

Back#	Horse /Sire x Dam	Handler / Breeder	Owner Name
176	<b>CA KINGSMAN ++/</b>	RILEY LALLO	LALLO, RILEY OR SUSAN
BE	TWC AWESOME X HILONIA HCF	CARUTH, TRACY WYNNE	PEARLAND TX
180	<b>CP DAUNTLESS ++/</b>	CLARA FULLILOVE	FULLILOVE, CLARA OR EMMA
BE	BASKE AFIRE X CP PRINCESS	CAL POLY POMONA	HOUSTON TX
244	<b>LEGACY BLACK SABBATH +++/</b>	MIGNON J STETMAN	STETMAN, MIGNON OR GREG
BE	MIDNTE PLEASURE L X LEGACY SILK NITEY	WILLIAMS-BAITY, KATHIE	CASTLE ROCK CO
321	<b>BROWN SUGAR BOURBON ++/</b>	LISA I HALPAIN	HALPAIN, LISA I
	PAYBACK TYPHOON X HJH SURREAL MCCOY	BINGHAM, CINDY M OR AARON J	ROCKWALL TX
803	<b>RD KORDOVA +</b>	SHERI MAYBERRY	MAYBERRY, SHERI
BE	EDEN C X SAN JOSE JAVIERA	POPPLEWELL, MURRAY OR SHIRLEY	WYLIE TX
805	<b>AAMERICAN EAGLE PKA</b>	PATRICIA GERDES	GERDES, PATRICIA
	KMA WEZTERLY X ORLENAA PKA	GERDES, PATRICIA	DENTON TX

Count: 6



**Class 1176: HA/AA Western Trail JOTR 18 & Under**

**Class 648: HA/AA Western Trail AOTR**

**First Go/Semi-Final**

<b>Go Order</b>	<b>Back #</b>	<b>Horse</b>	<b>Rider</b>
1	420	DAKOTA CHEX	FISCHER, KAREN
2	291	HOLLYWOOD SUNSET	WAGGONER, VELA
3	798	CA TEMPTING +//	BARNES, CHERYL
4	708	SCARBOROUGH	DOLNIK, KRISTYNA
5	219	BSF BUFFALO BILL CODY +//	GUADAGNOLO, GRACIE
6	800	KMA SKY METO THEMOON ++//	YOUNG, SKYLAR
7	851	LEGACYBLACKWHITE NITE	ATKINS, PEYTON
8	242	MY LUCKY SHAMROCK	DOWSON, TRACY
9	770	SF TUCKS BIG BANG	MATTHIAS, EVA
10	209	REMI MARTIN	KOY, ASHLYN
11	867	SH IMVAGUELYSURPRISED	SHAW, KAREN
12	799	LEGACY NIGHT VIXEN +	WOODS, NANCY
13	174	SH DUDES DIABLO	THOM, ANABELLE
14	246	TR BUTCH CASSIDY ++++//	BUNKER, BONNIE
15	245	M GETTIN ER DUN ++++//	STETMAN, MIGNON J

**Second Go/Final**

<b>Go Order</b>	<b>Back #</b>	<b>Horse</b>	<b>Rider</b>
1	242	MY LUCKY SHAMROCK	DOWSON, TRACY
2	867	SH IMVAGUELYSURPRISED	SHAW, KAREN
3	245	M GETTIN ER DUN ++++//	STETMAN, MIGNON J
4	174	SH DUDES DIABLO	THOM, ANABELLE
5	246	TR BUTCH CASSIDY ++++//	BUNKER, BONNIE
6	799	LEGACY NIGHT VIXEN +	WOODS, NANCY
7	209	REMI MARTIN	KOY, ASHLYN
8	800	KMA SKY METO THEMOON ++//	YOUNG, SKYLAR
9	798	CA TEMPTING +//	BARNES, CHERYL
10	291	HOLLYWOOD SUNSET	WAGGONER, VELA
11	708	SCARBOROUGH	DOLNIK, KRISTYNA
12	219	BSF BUFFALO BILL CODY +//	GUADAGNOLO, GRACIE
13	770	SF TUCKS BIG BANG	MATTHIAS, EVA
14	420	DAKOTA CHEX	FISCHER, KAREN
15	851	LEGACYBLACKWHITE NITE	ATKINS, PEYTON

*Order Of Go*

## 2024 YOUTH &amp; MID SUMMER NATIONALS

Jul 21 2024 13:42

## Performance Class

1176 FNL 1176 HA/AA Western Trail JOTR CH

Judge: Michael Damianos Jeff Lee Sheri Odom

Back#	Horse /Sire x Dam	Handler / Breeder	Owner Name
174	<b>SH DUDES DIABLO</b> BUENOS PARTEE DUDE X NOBLE DIANA	ANABELLE THOM SAGE HILL ARABIANS	THOM, ANABELLE OR CEPAK TIFFANY FRIENDSWOOD TX
209	<b>REMI MARTIN</b> HOLLYWOOD REMINIC X TA CAARLIE	ASHLYN KOY CANIZARES, SAYDA	SITOMER, GABRIELLE A HOUSTON TX
219	<b>BSF BUFFALO BILL CODY +//</b> BE WERE DUN X ABL ANTIQUA	GRACIE GUADAGNOLO BUCKSHOT FARMS	GUADAGNOLO, ANTHONY OR GRACE CAVE CREEK AZ
291	<b>HOLLYWOOD SUNSET</b> HOLLYWOOD WHITE X ORA	VELA WAGGONER SCOTT, RONALD OR GIPSON, CAROLYN J	WAGGONER, LYRA TUCSON AZ
708	<b>SCARBOROUGH</b> ASLAN PF X CREME BRULEE	KRISTYNA DOLNIK CARLSON, BROOKE OR CORY OR CLAYTON	DOLNIK, KRISTYNA OR MARKETA PALO ALTO CA
770	<b>SF TUCKS BIG BANG</b> TUCKNICOLOR X WC EKSPLOZJA	EVA MATTHIAS EIBERGER, JANNA & DAVID	MATTHIAS, LON OR KIM NORWALK IA
800	<b>KMA SKY METO THEMOON ++//</b> BE SKY FIGHTER X KMA BAIEDA	SKYLAR YOUNG KARMA ARABIANS	YOUNG, SKYLAR AUBREY TX
851	<b>LEGACYBLACKWHITE NITE</b> BE MIDNTE PLEASURE L X LA OH MY MY	PEYTON ATKINS WILLIAMS-BAITY, KATHIE	ATKINS, PEYTON AND ATKINS LORI BATTLE GROUND WA

Count: 8

## 2024 YOUTH &amp; MID SUMMER NATIONALS

## Performance Class

Jul 21 2024 13:42

648 FNL 648 HA/AA Western Trail Horse AOTR Champ

Judge: Michael Damianos Jeff Lee Sheri Odom

Back#	Horse /Sire x Dam	Handler / Breeder	Owner Name
219 BE	<b>BSF BUFFALO BILL CODY +//</b> WERE DUN X ABL ANTIQUA	GRACIE GUADAGNOLO BUCKSHOT FARMS	GUADAGNOLO, ANTHONY OR GRACE CAVE CREEK AZ
242	<b>MY LUCKY SHAMROCK</b> SHINEY AND EXPENSIVE X LD MUSTANG SALLY	TRACY DOWSON PNIAC, GAYLE L	DOWSON, TRACY GOLDEN CO
245 OE	<b>M GETTIN ER DUN ++++//</b> SVS FORNAIO X OTOES GOLD IN MOTION	MIGNON J STETMAN EPSTEIN, MARCIA A	STETMAN, MIGNON OR GREG CASTLE ROCK CO
246 BE	<b>TR BUTCH CASSIDY ++++//</b> SUNDANCE KID V X CHIP DOT COMM	BONNIE BUNKER WOLF SPRINGS RANCHES INC	BUNKER, BONNIE OR BROOKE STEAMBOAT SPRINGS CO
291	<b>HOLLYWOOD SUNSET</b> HOLLYWOOD WHITE X ORA	VELA WAGGONER SCOTT, RONALD OR GIPSON, CAROLYN J	WAGGONER, LYRA TUCSON AZ
420	<b>DAKOTA CHEX</b> THE KING OF THE CAT X KNOW TROUBLE TL	KAREN FISCHER MCDILL, THOMAS P OR ILONA	FISCHER, KAREN KELLER TX
708	<b>SCARBOROUGH</b> ASLAN PF X CREME BRULEE	KRISTYNA DOLNIK CARLSON, BROOKE OR CORY OR CLAYTON	DOLNIK, KRISTYNA OR MARKET PALO ALTO CA
798 BE	<b>CA TEMPTING +//</b> TWC AWESOME X DEE MASTER FLASH	CHERYL BARNES CARUTH, ROBERT M	BARNES, CHERYL DENTON TX
799	<b>LEGACY NIGHT VIXEN +</b> MIDNTE PLEASURE L X EBONY	NANCY WOODS WILLIAMS-BAITY, KATHIE	WOODS, NANCY HOUSTON TX
851 BE	<b>LEGACYBLACKWHITE NITE</b> MIDNTE PLEASURE L X LA OH MY MY	PEYTON ATKINS WILLIAMS-BAITY, KATHIE	ATKINS, PEYTON AND ATKINS LORI BATTLE GROUND WA
867	<b>SH IMVAGUELYSURPRISED</b> JERRY LEES SURPRISE X SAGE HILL KARLA	KAREN SHAW SAGE HILL ARABIANS	SHAW, KAREN ORO VALLEY AZ

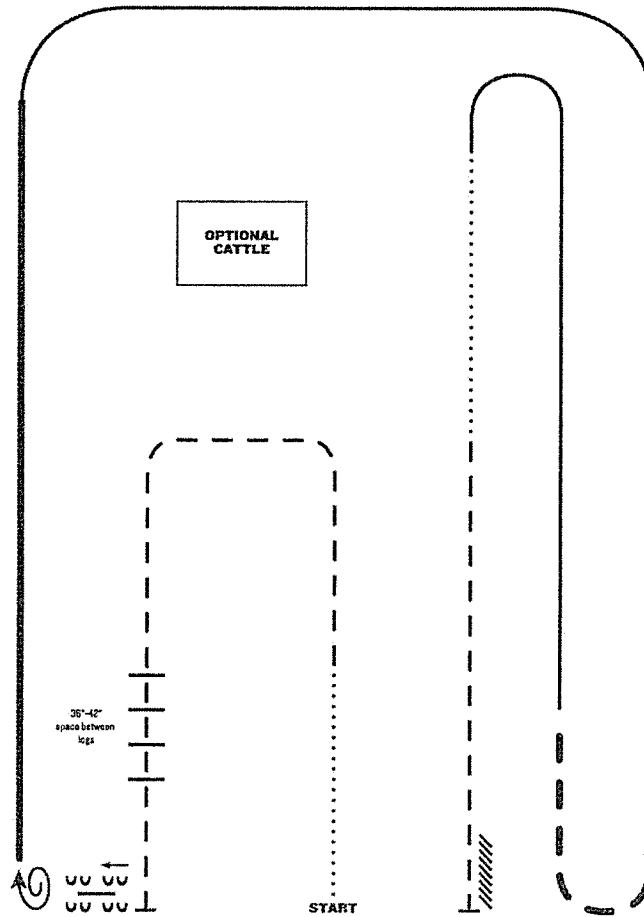
Count: 11

# 2024 AHA Youth Nationals

## 1569/ 1571 ARABIAN & HA/AA RANCH RIDING JOTR

### SFF – one go Only

#### RANCH RIDING - PATTERN 12



LEGEND	
.....	Walk
.....	Extended Walk
---	Trot
---	Extended Trot
---	Lope
---	Extended Lope
////	Back
\\	Lead Change

1. Walk
2. Trot
3. Trot over logs, stop
4. Side pass right over log
5. 1 1/2 turn right
6. Extended lope right lead
7. Lope right lead
8. Extended trot
9. Lope left lead
10. Walk
11. Trot
12. Stop and back

Note: The drawn description of this pattern is only intended for the general depiction of the pattern. Exhibitors should utilize the arena space to best exhibit their horses.

### Class 1569: Arabian Ranch Riding JOTR

Draw #	Back #	Horse	Rider
1	694	SHALIMAR CHAUNCEY +++/	MURPHY, GABRIELLA
2	188	ELLIANTRA +	LALLO, RILEY
3	412	TA HERMES	BEIN, MCKENNA
4	170	DOUBLE MO SEVEN RA	THOM, ANABELLE
5	243	WERDYCT +/	MANNICK, HAILEY
6	313	AMADEUS RA	GEORGE, ANDREA
7	405	KHAARGA HARLEQUIN +//	RASMUSSEN, HANNAH
8	185	LOLITAS JAMAAL +//	SOBRAL, ISABELLA
9	178	SWIFTKICKNTHPANTZ RA ++/	LALLO, RILEY
10	411	MOZARTS CROMEMERCEDES +//	BEIN, MCKENNA
11	195	CC MAZAL	STREICH, LILLIANNA

*Order Of Go*

## 2024 YOUTH &amp; MID SUMMER NATIONALS

## Performance Class

Jul 21 2024 13:42

1569 SFF 1569 Arabian Ranch Horse Riding JOTR CH

Judge: Michael Damianos Jeff Lee Sheri Odom

Back#	Horse /Sire x Dam	Handler / Breeder	Owner Name
170	<b>DOUBLE MO SEVEN RA</b> BE TA MOZART X AL MARAH SWIFT RIVER	ANABELLE THOM AMES, RICHARD	THOM, ANABELLE OR CEPAK TIFFANY FRIENDSWOOD TX
178	<b>SWIFTKICKNTHEPANTZ RA ++/</b> BE TA MOZART X AL MARAH SWIFT RIVER	RILEY LALLO AMES, RICHARD	LALLO PERFORMANCE HORSES LLC PEARLAND TX
185	<b>LOLITAS JAMAAL +//</b> BE JAKE JAMAAL JCA ++// X LOLITA V	ISABELLA SOBRAL MCGURRAN, MIRIAM	SOBRAL, ISABELLA OR LONG LAURIE PEARLAND TX
188	<b>ELLIANTRA +</b> BE ECAHNATEN PWA X CHIC ELECHTRA	RILEY LALLO JONES, DEBRA & DUKE	LALLO PERFORMANCE HORSES LLC PEARLAND TX
195	<b>CC MAZAL</b> BE KHEMO-CRACKER X JR CLAUDETTE	LILLIANNA STREICH BANNING, DWIGHT & YOLANDA	STREICH, LILLIANNA HOUSTON TX
243	<b>WERDYCT +/</b> BE KALALOCH + X ECAHOS JEWEL WC	HAILEY MANNICK BROWN, SHELLY	MANNICK, ANGELA & HAILEY PARKER CO
313	<b>AMADEUS RA</b> BE TA MOZART X AL-MARAH AMELIUS +	ANDREA GEORGE AMES, RICHARD	GEORGE, ANDREA OR LINDY THE WOODLANDS TX
405	<b>KHAARGA HARLEQUIN +//</b> BE KHAARGA IBN MAGNATE X KHAARGA CONTESSA	HANNAH RASMUSSEN KHAARGA ARABIANS	RASMUSSEN, MICHELLE & HANNAH OREGON CITY OR
411	<b>MOZARTS CROMEMERCEDES +//</b> BE TA MOZART X BSF FIONA	MCKENNA BEIN TILLMAN, KIMBERLY KIRK	BEIN, DAVID OR JESSICA SCOTTSDALE AZ
412	<b>TA HERMES</b> BE KORDELAS X HULANKA PASB	MCKENNA BEIN TOSKHARA ARABIANS LP	BEIN, DAVID OR JESSICA SCOTTSDALE AZ
694	<b>SHALIMAR CHAUNCEY +++/</b> BE ASIL PHANCY PKA X SHALIMAR CHIMES	GABRIELLA MURPHY EDMUND, J ADAM	GORR, GRETCHEN CAVE CREEK AZ

Count: 11

### **Class 1571: HA/AA Ranch Riding JOTR**

<b>Draw #</b>	<b>Back #</b>	<b>Horse</b>	<b>Rider</b>
1	303	WHIZKEY ON FIRE	SEIVER, CHLOE
2	167	ARKYS SMART LEO LAD +//	LALLO, RILEY
3	207	IM A SMART LEGACY	KOY, ASHLYN
4	219	BSF BUFFALO BILL CODY +//	GUADAGNOLO, GRACIE
5	215	SPECIALISTT +	TRABOW, BRIANNA
6	719	BLENDED WHIZKEY	SMITH, GRACE
7	708	SCARBOROUGH	DOLNIK, KRISTYNA
8	574	STARLIGHTS PAISLEIGH	SMITH, SAMANTHA
9	174	SH DUDES DIABLO	THOM, ANABELLE
10	186	SHINE SHEIKH SHINE	SOBRAL, ISABELLA
11	181	HOTTIMEINMOTOWN RA +//	FULLILOVE, CLARA
12	714	MY GREAT ESCAPE RA	BALINT, SLOAN
13	770	SF TUCKS BIG BANG	MATTHIAS, EVA
14	168	HESA YELLA FELLA	LALLO, RILEY
15	471	RAMBLIN MISS HICKORY +/	MCKINZIE, ELIJAH
16	209	REMI MARTIN	KOY, ASHLYN
17	220	MAKE IT REIN CSF +/	GUADAGNOLO, GRACIE
18	722	MOCHA JAVA CHIP +/	TODD, TARYN

*Order Of Go*

## 2024 YOUTH &amp; MID SUMMER NATIONALS

## Performance Class

Jul 21 2024 13:43

1571 SFF 1571 HA/AA Ranch Horse Riding JOTR CH

Judge: Michael Damianos Jeff Lee Sheri Odom

Back#	Horse /Sire x Dam	Handler / Breeder	Owner Name
167	<b>ARKYS SMART LEO LAD +//</b> THE ARKANGEL X SMART LEO LADY	RILEY LALLO FOSTER, T BUSTER	LALLO, RILEY OR SUSAN PEARLAND TX
168	<b>HESA YELLA FELLA</b> HESA ARTFULL ZEE X JERSEYETTE	RILEY LALLO SOUSA, CRYSTAL	LALLO PERFORMANCE HORSES LLC PEARLAND TX
174 OE	<b>SH DUDES DIABLO</b> BUENOS PARTEE DUDE X NOBLE DIANA	ANABELLE THOM SAGE HILL ARABIANS	THOM, ANABELLE OR CEPAK TIFFANY FRIENDSWOOD TX
181 BE	<b>HOTTIMEINMOTOWN RA +//</b> TA MOZART X DELICATTA	CLARA FULLILOVE ROCKENBACH, CATHERINE C	FULLILOVE, CLARA OR EMMA HOUSTON TX
186	<b>SHINE SHEIKH SHINE</b> STARLIGHTS STARBRITE X JSN MOTO BINTI	ISABELLA SOBRAL JENSEN ARABIANS LLC	SOBRAL, ISABELLA OR LONG LAURIE PEARLAND TX
207	<b>IM A SMART LEGACY</b> IM GENUINELY SMART X BASKS MARQED LEGACY	ASHLYN KOY KEARNEY, PATRICIA JAN	SITOMER, GABRIELLE OR KOY CALLAN HOUSTON TX
209	<b>REMI MARTIN</b> HOLLYWOOD REMINIC X TA CAARLIE	ASHLYN KOY CANIZARES, SAYDA	SITOMER, GABRIELLE A HOUSTON TX
215 BE	<b>SPECIALISTT +</b> GUNNERS SPECIAL NITE X LOLITA V	BRIANNA TRABOW MCGURRAN, MIRIAM	TRABOW, BARBARA JEAN SAHUARITA AZ
219 BE	<b>BSF BUFFALO BILL CODY +//</b> WERE DUN X ABL ANTIQUA	GRACIE GUADAGNOLO BUCKSHOT FARMS	GUADAGNOLO, ANTHONY OR GRACE CAVE CREEK AZ
220 BE	<b>MAKE IT REIN CSF +/</b> BUENO SIS STARLIGHT X MWF ROMANTYKA	GRACIE GUADAGNOLO MCHUGH, MICHAEL D OR HOREY-MCHUGH, LINDA C	GUADAGNOLO, ANTHONY OR GRACE CAVE CREEK AZ
303	<b>WHIZKEY ON FIRE</b> WHIZKEY N DIAMONDS X HEZAS FIRE FLY	CHLOE SEIVER HAMILTON, ELEANOR	SEIVER FARM AND RANCH LLC MAGNOLIA TX
471 BE	<b>RAMBLIN MISS HICKORY +/</b> RAMBLIN MISTER V + X ZANS TARI HICKORY	ELIJAH MCKINZIE CRANDALL, BRIAN OR MELISSA	MCKINZIE, THERESA & ELIJAH TRYON OK
574	<b>STARLIGHTS PAISLEIGH</b> BUENO STARLIGHT X PAISLEIGH	SAMANTHA SMITH ZIMMERMAN, HILLARY & CHARLES	SMITH, CHRISTINA OR JASON PARADISE CA
708	<b>SCARBOROUGH</b> ASLAN PF X CREME BRULEE	KRISTYNA DOLNIK CARLSON, BROOKE OR CORY OR CLAYTON	DOLNIK, KRISTYNA OR MARKETA PALO ALTO CA
714 BE	<b>MY GREAT ESCAPE RA</b> TA MOZART X MS GREAT WHIZ	SLOAN BALINT WELMAN, BRIAN	BALINT, JAMI LAKE TAPPS WA
719	<b>BLENDED WHIZKEY</b> WHIZKEY N DIAMONDS X VALARITA	GRACE SMITH RHODES RIVER RANCH	SMITH, GRACE & SHELLY ORTING WA

1 of 2



2024 YOUTH & MID SUMMER NATIONALS

Performance Class

Jul 21 2024 13:43

1571 SFF 1571 HA/AA Ranch Horse Riding JOTR CH

Judge: Michael Damianos Jeff Lee Sheri Odom

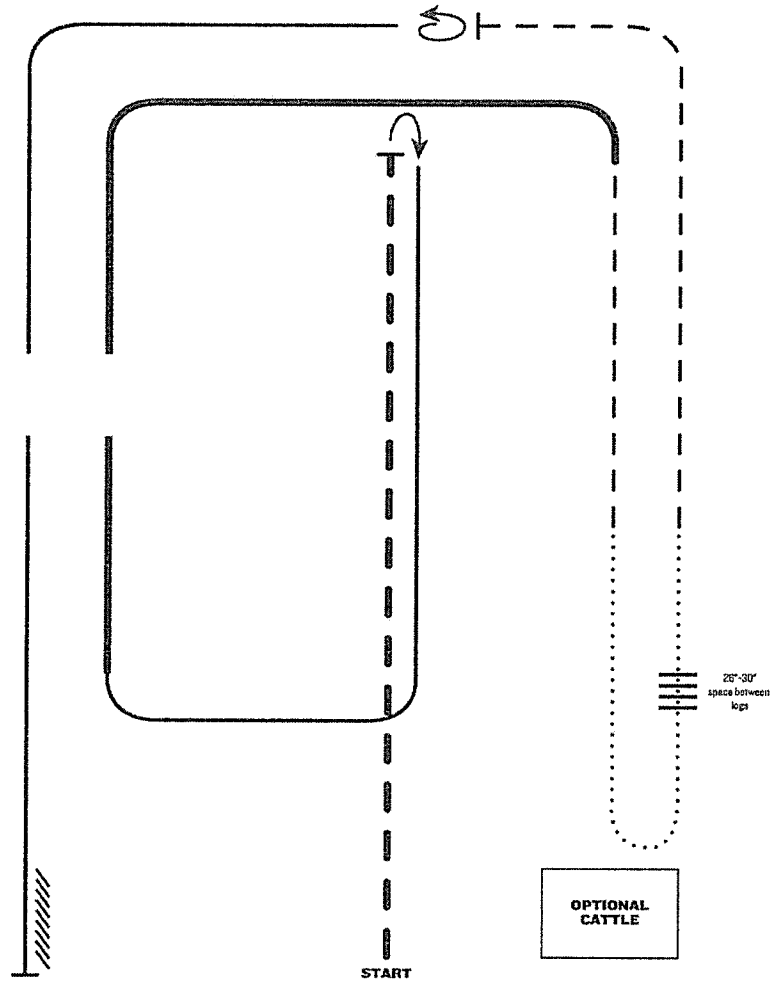
Back#	Horse /Sire x Dam	Handler / Breeder	Owner Name
722	MOCHA JAVA CHIP +/	TARYN TODD	TODD, TAMARA OR TARYN
BE	WERE DUN X ELZEDA	BUCKSHOT FARMS	VANCOUVER WA
770	SF TUCKS BIG BANG	EVA MATTHIAS	MATTHIAS, LON OR KIM
	TUCKNICOLOR X WC EKSPLOZJA	EIBERGER, JANNA & DAVID	NORWALK IA

Count: 18

# 2024 Mid Summer Nationals

## 3043 / 3039 Arabian & HA/AA Ranch Riding AATR SFF

### RANCH RIDING - PATTERN 15



**LEGEND**

.....	Walk
.....	Extended Walk
---	Trot
---	Extended Trot
---	Lope
---	Extended Lope
////	Back
W	Lead Change

1. Extended trot
2. Stop, rollback right
3. Lope right lead
4. Extended lope right lead
5. Trot
6. Walk
7. Walk over logs
8. Walk
9. Trot
10. Stop, 360° turn left
11. Lope left lead
12. Stop and back

Note: The drawn description of this pattern is only intended for the general depiction of the pattern. Exhibitors should utilize the arena space to best exhibit their horses.

### **Class 3043: Arabian Ranch Riding AATR**

<b>Draw #</b>	<b>Back #</b>	<b>Horse</b>	<b>Rider</b>
1	241	WCF MARK ME UP	HAIGHT, DELANEY
2	652	MOZEYONDOWN RA +	CORNELIUS, KELLIE
3	321	BROWN SUGAR BOURBON ++//	HALPAIN, LISA I
4	535	SWEET SURRENDER RA	CAUSEY, FRANCES
5	826	HIGHLANDER DCA	MUSCHETTO, MADISON
6	876	SLIDE MY WAY CSF	CULLEN, DEBORAH
7	712	PREMIUM BUCKSHOT +//	PALERMO, JENNIFER
8	243	WERDYCT +/	MANNICK, ANGELA R
9	853	EVENING SHAYDE	NELSON, RACHEL
10	805	AAMERICAN EAGLE PKA	GERDES, PATRICIA
11	588	PRINCE HARRY PMA	MIERSMA, DANIELLE
12	238	AGILITY BY NOBILITY +/	DOWSON, TRACY
13	855	TSAMURAI MAC +//	WEAVER, MELANIE

*Order Of Go*

**2024 YOUTH & MID SUMMER NATIONALS**  
**Performance Class**

Jul 21 2024 13:44

**3043 SFF 3043 Arabian Ranch Riding AATR CH**

Judge: Michael Damianos Jeff Lee Sheri Odom

Back#	Horse /Sire x Dam	Handler / Breeder	Owner Name
<b>238</b>	<b>AGILITY BY NOBILITY +/</b>	TRACY DOWSON	HYRICK, JONI
BE	MHR NOBILITY X BAYCHELSEA V	HYRICK, JONI	PENDLETON NY
<b>241</b>	<b>WCF MARK ME UP</b>	DELANEY HAIGHT	HAIGHT, DELANEY OR ROXANNE
	RA MONACO +// X WCF OLIVIA	RAINWATER INSURANCE INC	LITTLETON CO
<b>243</b>	<b>WERDYCT +/</b>	ANGELA R MANNICK	MANNICK, ANGELA & HAILEY
	KALALOCH + X ECAHOS JEWEL WC	BROWN, SHELLY	PARKER CO
<b>321</b>	<b>BROWN SUGAR BOURBON ++//</b>	LISA I HALPAIN	HALPAIN, LISA I
	PAYBACK TYPHOON X HJH	BINGHAM, CINDY M OR AARON J	ROCKWALL TX
	SURREAL MCCOY		
<b>535</b>	<b>SWEET SURRENDER RA</b>	FRANCES CAUSEY	NELSON, TRISH
BE	TA MOZART X AL-MARAH AMELIUS	AMES, RICHARD	TUCSON AZ
	+		
<b>588</b>	<b>PRINCE HARRY PMA</b>	DANIELLE MIERSMA	MIERSMA, DANIELLE
BE	BRONTES FM X DIANA AA	MCGINNIS, PAT	VICKSBURG MI
<b>652</b>	<b>MOZEYONDOWN RA +</b>	KELLIE CORNELIUS	BELL, CAREY OR AINSLEY
BE	TA MOZART X MINDING PS AND QS	AMES, RICHARD	THE WOODLANDS TX
<b>712</b>	<b>PREMIUM BUCKSHOT +//</b>	JENNIFER PALERMO	PALERMO, JOYCE OR JENNIFER
BE	SCIMARON X AQR SONATINA +	BUCKSHOT FARMS	KIRKLAND WA
<b>805</b>	<b>AAMERICAN EAGLE PKA</b>	PATRICIA GERDES	GERDES, PATRICIA
	KMA WEZTERLY X ORLENAA PKA	GERDES, PATRICIA	DENTON TX
<b>826</b>	<b>HIGHLANDER DCA</b>	MADISON MUSCHETTO	MUSCHETTO, DAWN OR MADISON
	PSANTANA +++/ X JF LADY LEGACY	OSBORN, CYNTHIA OR	IONE CA
		LEINFELDER, LAURA OSBORN	
<b>853</b>	<b>EVENING SHAYDE</b>	RACHEL NELSON	PIETERS, ROCKSANNE
BE	EVER AFTER NA X ALA JAZIRA BEY	PIETERS, ROCKSANNE	RAMONA CA
<b>855</b>	<b>TSAMURAI MAC +//</b>	MELANIE WEAVER	WEAVER, MELANIE & MIKE
BE	MACLINTOCK V X ROHARA	HUGHES, ED OR LILLIAN OR	VALLEY VILLAGE CA
	RONATTA	ISHIDA, HEATHER	
<b>876</b>	<b>SLIDE MY WAY CSF</b>	DEBORAH CULLEN	CULLEN, DEBORAH & CARINA
BE	TA GIOVANNI X MWF ROMANTYKA	MCHUGH, MICHAEL D OR	ACTON CA
		HOREY-MCHUGH, LINDA C	

Count: 13